

# Controller

2018 / 控制器 / 智能制造



 **DONJOY 东正**

国家高新技术企业 浙江省著名商标

东正一直致力于技术革新  
是您值得信赖的事业伙伴  
**Donjoy has been committed to  
technical innovation, is your trustworthy  
business partner!**

目录册技术资料仅供参考，  
东正保留更新和升级的权利，恕不另行通知！

Catalogue technical information only for reference.  
Donjoy reserves the rights to update and upgrade  
without prior notice.

**法律声明:**

目录样册版权归东正所有，  
如有抄袭，必将追究其法律责任和经济赔偿。  
东正已获得国家版权局书刊号。  
东正诸多产品技术，都具有专利保护，  
如有抄袭，必将追究法律责任和经济赔偿。

**Legal statement:**

Copyright of the catalogue belongs to Donjoy.  
If there is plagiarism, it will be investigated for legal  
responsibility and economic compensation.  
Donjoy has been granted publications number by  
China's National Copyright.  
Donjoy products and technology with patent protection,  
If there is plagiarism, it will be investigated for legal  
responsibility and economic compensation.

# 温州空港新区总部生产基地 Wenzhou airport economic zone production base



占地面积约29000m<sup>2</sup>，总投资约1.2亿RMB，约2000万USD。

Covering an area of 29000 m<sup>2</sup>, with total investment about 120 million RMB, i.e., 20 million USD.



# 领先源于创新 创新源于专业

## 东正的专业与品质的邂逅源于创新的精神

东正创立于1993年，注册资本6088万(约1000万USD)，是一家专注于高精度PID阀门定位器，阀门控制单元，阀门位置反馈器、智能自控阀、比例调节阀、过程控制阀、高洁净泵、均质混合泵、清洗技术、压力容器、管道安全控制技术、高洁净管材和管道配件，集研发、生产与销售为一体的国家高新技术企业。产品用途涉及行业和领域有生物制药、食品饮料、酿酒、精细化工等工业领域。东正领先的技术和持续创新解决方案，对满足全球，尤其是新兴市场不断增长生物制药和食品饮料行业的需求起到了积极作用。

东正制造的产品母材料、加工技术、焊接技术、表面处理等技术指标均已达到国际领先水平。且符合ASME BPE、EHEDG、FDA、3A等一系列国际标准和规范要求。先后通过了由德国 TÜV 机构实施的欧盟承压设备指令(PED-97/23/EC)和(MD-06/42/EC)认证；美国 3A机构实施的3-A卫生标准认证；中国安全阀特种制造设备(TS)许可证和中国质量认证中心CQC ISO9001:2015 质量管理体系认证等多项国际权威认证。

东正凭借领先的技术、优异的品质和完善的售后服务体系，公司荣获为《国家高新技术企业》，《浙江省著名商标》、《科技型企业》、《创新型企业》、《专利示范企业》、《研发中心企业》，《守合同重信用AAA企业》等众多荣誉称号。







## Leading from innovation, innovation from the professionalism! Donjoy's professionalism and quality come from the spirit of innovation!

Donjoy was founded in 1993, with registered capital RMB 60.88 million (about 10 million USD). We focus on developing high-precision PID valve positioner, Valve Control unit, Valve Position feedback device, intelligent automatic control valve, proportional valve, process control valve, high purity pump, homogeneous mixing pump, cleaning technology, pressure vessel, pipeline safety control technology, high clean pipe fitting & pipeline accessories and integrating R&D, production and sales as an integrated national high-tech enterprises. Donjoy's products are widely used in bio-pharmaceutical, food and beverage, wine, fine chemicals and other industrial fields. Donjoy's leading technology and innovation solutions meet growing demand in the industry of bio-pharmaceutical, food and beverage from the whole world, special emerging market.

Raw material, processing technology, welding technology, surface treatment and other technology from Donjoy have achieved advanced level in international market. It also complies with a series of international standards and specifications such as ASME BPE, EHEDG, FDA and 3A. It has passed the EU Pressure Equipment Directive (PED-97/23/EC) and (MD-06/42/EC) issued by the German TÜV organization; the 3-A health standard certification issued by the 3A organization; China Safety Valve Special Manufacturing Equipment (TS) License, China Quality Certification Center (CQC) and Quality Management System Certification (ISO9001:2015) and many other international authoritative certifications.

With advanced technology, excellent quality and perfect after-sales service system, Donjoy was awarded as National High-tech Enterprise, Provincial Famous Trademark, Science and Technology Enterprise, Innovative Enterprise, Patent Demonstration Enterprise, R & D Center Enterprise, AAA Credit Enterprise and many other honorary





全面的创新技术能力  
为您带来创造性的解决方案



## Comprehensive innovation technology, capabilities Bring you creative solutions

东正拥有诸多领先的产品技术，如各种比例调节阀、过程自控阀、生物制药隔膜阀、防混双座阀、压力容器和管道安全控制技术、清洗技术、高洁净转子泵、螺杆泵、离心泵、自吸泵、均质乳化泵、均质混合泵、卫生管件和无菌管件等.....

Donjoy has many leading technology products, such as various proportioning regulating valve, process automatic control valve, pharmaceutical diaphragm valve, mixed double seat valve, pressure vessel and pipeline safety control technology, clean technology, high cleanliness rotor pump, screw pump, centrifugal pump, self-priming pump, homogeneous emulsion pump, homogeneous mixing pump, sanitary fittings and aseptic pipe fittings and so on...

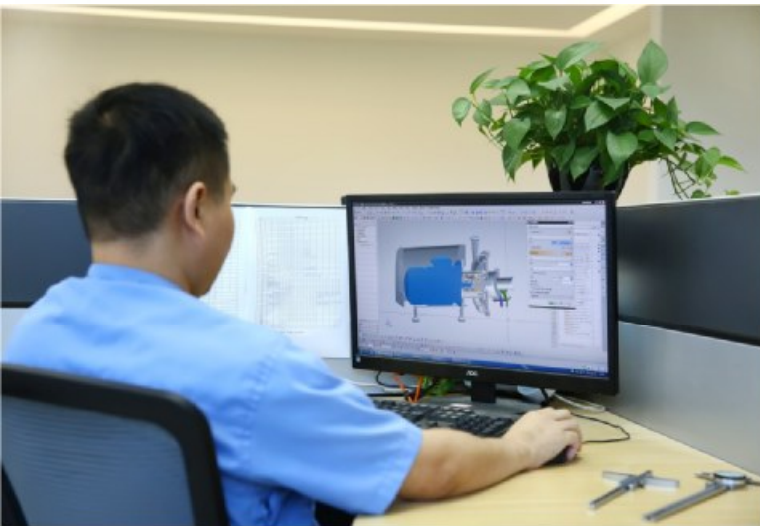


企业的成功源于创新。东正的成功基于创始人“开拓创新、追求卓越”的创新精神，1994年东正开发了第一只高洁净的蝶阀，这只蝶阀是东正的起始点。

控制器的研发成就完美的过程自动控制，2004年东正成功研发了技术领先的阀门定位器、阀门控制单元。

高洁净泵的研发确保物料输送的洁净，2006年东正成功研发了高精端的转子泵、离心泵、混合泵、自吸泵。

我们一直走在行业与时代的前沿，把不断革新的技术、日新月异的市场发展和客户需求作为自身最大的挑战。东正有自己的独立的思维和视野，始终保持领先致力于产品在新经济领域中的开发和应用。未来我们将一如既往的坚持以技术创新、以顾客为导向走向新的成功。



Success of an enterprise stems from innovation. Donjoy's success is based on the founder's innovative spirit of "pioneering innovation and pursuing excellence". In 1994, Donjoy developed the first highly purity butterfly valve, which was the starting point of donjoy.

Research and development of the controller achieves perfect automatic process control, In 2004, Donjoy has successfully developed advanced valve positioner and valve control unit.

Research and development of high purity pump ensure purity of transferred medium. In 2006, Donjoy successfully research developed high precision lobe pump, centrifugal pump, mixed pump, self-priming pump.

We are always at the forefront of the industry and times, taking the continuous innovation of technology, rapid market development and customer demand as our biggest challenge. Donjoy has its own independent thought and horizons, and always maintains a leading position in the development and application of products in the new economic field. In the future, we will continue to adhere to technological innovation and customer-oriented towards new success.





## 精益加工车间 Lean processing workshop



东正以科学技术领先为第一生产力，也是企业核心竞争力。只有不断投入核心技术研发和创新，不断追求卓越、精益求精、以先进生产设备，严格的质量管理体系，严谨的检测流程、保证每款产品的优良性能。

Donjoy takes leading in science and technology as the first productive force as well as the core competitiveness of the enterprise. Only by continuously investing in core technology research and development and innovation, we are constantly pursuing prominence, excellence, advanced production equipment, strict quality management system and rigorous testing process, to ensure excellent quality and performance of each product.





机器人生产线 Robot production line



# 装配车间 Assembly workshop





# 荣誉与资质 Honor and qualification

	<p><b>3A</b></p> <p>东正是美国3A认证组织的成员，3A是一个自愿组织，致力于维护公共卫生和奶制品产品质量通过独特的行业监管程序的设备，用于处理乳制品的卫生标准3-A。 Donjoy is a member of US 3A Certification Organization, 3A is a voluntary organization dedicated to maintaining the quality of public health and dairy products through a unique industry regulatory process for the treatment of dairy product hygiene standards 3-A.</p> <ul style="list-style-type: none"> <li>◆54-C2 (Diaphragm-Type Valves)-NUMBER: 1580-隔膜阀</li> <li>◆02-11 (Centrifugal and Positive Rotary Pumps) NUMBER: 1579-高洁净泵</li> <li>◆85-03 (Double-Seat Mixproof Valves) NUMBER: 1787-双座防混阀</li> <li>◆64-00 (Pressure Reducing and Back Pressure Regulating Valves ) NUMBER: 1784-恒压阀&amp;调节阀</li> <li>◆53-06 (Compression-Type Valves)-NUMBER: 1782-单座阀(换向阀)</li> <li>◆68-00 (Ball-Type Valves) NUMBER: 1785-球阀</li> <li>◆55-02 (Boot Seal-Type Valves) NUMBER: 1783-无菌取样阀</li> <li>◆64-02 (Personnel Access Ports for Wet Applications) NUMBER: 1786-人孔</li> <li>◆63-03 (Sanitary Fittings) NUMBER: 1581-卫生管件</li> </ul>
	<p><b>PED/97/23/EC&amp;MD/06/42/EC</b></p> <p>由德国TÜV机构实施的欧洲承压设备安全指令 (PED-97/23/EC)，机械安全指令MD-06/42/EC。 EU Pressure Equipment Safety Directive (PED-97/23/EC), Machinery Safety Directive MD-06/42/EC, implemented by TÜV, Germany.</p> <ul style="list-style-type: none"> <li>◆MD/06/42/EC NUMBER: 705201402401-00 - LOBE PUMF转子泵</li> <li>◆MD/06/42/EC NUMBER: 705201616101-00 - Centrifugal pump 离心泵</li> <li>◆PED/97/23/EC NUMBER: DGR - 0036-QS-1153-14-Valves 阀门系列</li> </ul>
	<p><b>安全阀特种制造许可证(TS) Safety valve special manufacturing license</b></p> <p>东正通过了安全阀特种设备制造许可证，目前是国内首家通过“高洁净安全阀特种制造许可证”的企业(安全附件及安全保护装置)。 ◆其证书编号：TSF 733008-2019 Donjoy has passed the safety valve special equipment manufacturing license. Recently, is the first enterprise in China to pass the "Special Manufacturing License for High Clean Safety Valves" (safety accessories and safety protection devices). ◆Certificate number: TSF 733008-2019</p>
	<p><b>FDA.177.2600</b></p> <p>东正制造的高洁净阀门和泵以及液体设备等，与物料接触密封圈全部通过或符合美国食品和药品管理局和联邦法规第21条即，CFR 21 FDA177.2600和FDA177.1550认证，其涵盖：EPDM VITON (FPM) SILICON HNBR 等橡胶和PTFE 塑料材料。 ◆符合美国 3-A-18-03-CLASS - II The seals of Donjoy's high-cleaning valves, pumps and fluid equipment that contact with material, all pass or comply with the US Food and Drug Administration and Federal Regulations issue 21, i.e. CFR 21 FDA177.2600 and FDA177.1550 certification. The seals cover : EPDM, VITON (FPM), SILICON, HNBR and other rubber &amp; PTFE plastic material. ◆Meets US 3-A-18-03-CLASS - II</p>
	<p><b>ISO-9001-2015</b></p> <p>东正通过中国质量认证中心CQC.ISO9001-2015/GB/T19001-2015企业质量管理体系认证。 ◆其证书编号：00117Q38464R4M/3302 Donjoy passed the China Quality Certification Center CQC, ISO9001-2015/GB/T19001-2015 enterprise quality management system certification. ◆Its certificate number is 00117Q38464R4M/3302.</p>
	<p><b>卫生许可证 Hygiene License</b></p> <p>东正通过了省卫生厅卫生阀门，卫生管件等检验且获得了其颁发的证书。 ◆其批准文号：第0056号 Donjoy passed the inspection of sanitary valves and sanitary fittings of the Provincial Health Department and obtained the certificate issued by it. ◆Its approval number: No. 0056</p>
	<p><b>国家高新技术企业 National High-Tech Enterprise</b></p> <p>东正，经过20余年发展和技术研发，2011年被评定为国家高新技术企业。 Donjoy, after more than 20 years of development and technology research &amp; development, was assessed as a national high-tech enterprise in 2011.</p>
	<p><b>浙江省著名商标 Zhejiang province famous trademark</b></p> <p>东正，凭借先进的技术、优异的品质和完善的售后服务体系，2012年被浙江省工商局评定为浙江省著名商标。 Donjoy, by virtue of advanced technology, excellent quality and perfect after-sales service system, was recognized as a famous trademark of Zhejiang Province by the Industrial and Commercial Bureau of Zhejiang Province in 2012.</p>

东正不但拥有以上认证和荣誉，且被评定为省科技型、创新型、专利示范、研发中心、重合同守信用等诸多荣誉。并拥有100多项专利技术。

Donjoy not only has the above certification and honors, but also has been evaluated as provincial science and technology type, innovation, patent demonstration, research and development center, contract keeping and other honors. It also owes more than 100 patented technologies.

# IL-TOP-1831&1832 数字阀门定位器

## IL-TOP-1831&1832 series-digital valve positioner



领先技术、简单构造，  
中英文菜单、单键自整定、PID特性

leading technologies,  
simple structure,  
bilingual (Chinese and English) menu,  
single button for auto-adjusting,  
PID feature



### 技术特点

- 控制输入：0/4–20mA/0–5V/10V
- 反馈输出：0/4–20mA/0–5V/10V
- 供电：DC24V ± 10%
- 总线通讯：MODE BUS Rs485
- 精度：重复定位精度 ≤ 0.2%；
- 菜单：OLED 显示屏 中文&英文
- 整定：单键自整定功能
- 操作模式：手动 / 自动
- 故障：断气，断电，阀位自动复位(标准)  
阀位保持功能(可选)
- 行程范围：0–60mm

### Technical Features

- INPUT: 0/4–20mA/0–5V/10V
- Feedback output: 0/4–20mA/0–5V/10V
- Power supply: DC24V ± 10%
- Bus communication: MODE BUS Rs485
- Accuracy: repeat positioning accuracy ≤ 0.2%;
- Menu: OLED display Chinese & English
- Adjusting: single button auto-adjusting function
- Operation mode: manual/automatic operation
- Safety function setting: cut off air source, power supply,  
valve position automatic reset (standard)  
keep valve position (optional)
- Stroke range: 0–60mm



IL-TOP-1831是一款直行程气动阀门定位器，可安装到各种气动阀门上，如不锈钢气动蝶阀、隔膜阀、角座阀、截止阀、调节阀、球阀、换向阀等。安装有该定位器后，可实现阀门流量调节，自动化控制、阀门位置显示，该产品具有外观佳、体积小、安装简单方便、无需专业人员即可操作调试。

IL-TOP-1831 is pneumatic valve positioner which is used for linear motion. It could be installed to various kinds of pneumatic valve, such as pneumatic butterfly valve, diaphragm valve, angle seat valve, globe valve, regulating valve, ball valve, reversing valve etc. which is with stainless steel pneumatic actuator. With the positioner, could regulate valve flow, control automatically, show valve position. This positioner are with good appearance, small volume, easy installation, could be operated and debugged without professional.

功能描述/货号 Functional description/Item No.	IL-TOP-阀门定位器-功能选择-货物代码 IL-TOP-Valve Positioner-Function Selection-Cargo Code Item No.								备注说明 Remark
	183131	183132	183131-P	183132-P	183231	183232	183231-P	183232-P	
价格(含税) RMB price	3580	4280	4000	4700	3580	4280	4000	4700	
输入(INPUT): 0/4-20mA/0-5V/10V	No	No	yes	yes	No	No	yes	yes	外部信号输入 External signal input
输入(INPUT): 0/4-20mA	yes	yes	yes	yes	yes	yes	yes	yes	
输出(Output): 0/4-20mA/0-5V/10V	No	No	yes	yes	No	No	yes	yes	反馈输出 Feedback output
单作用 Single action	yes	No	yes	No	yes	No	yes	No	气动执行器 Pneumatic actuator
双作用 Double-acting	No	yes	No	yes	No	yes	No	yes	
供电 Power supply: DC24V ± 10%	yes	yes	yes	yes	yes	yes	yes	yes	电源 Power supply
总线通讯 Bus communication: MODE BUS RS485	yes	yes	No	No	yes	yes	No	No	总线通讯 Bus communication
适用范围 Range of application: ≤ 114气缸 Cylinder	yes	yes	yes	yes	No	No	No	No	≤ 114 气缸Cylinder, 容量Capacity: ≥ 50& ≤ 220ml
适用范围 Range of application: ≥ 133气缸 Cylinder	No	No	No	No	yes	yes	yes	yes	≥ φ 133 气缸Cylinder, 容量Capacity: ≥ 200 & ≤ 1000ml
故障, 断气、断电, 复位(推荐) Cut off air source, power supply, valve position automatic reset (recommend)	yes	yes	yes	yes	yes	yes	yes	yes	故障时阀位复位 Valve position reset in case of failure

功能描述/货号 Functional description/Item No.	IL-TOP-阀门定位器-功能选择-货物代码 IL-TOP-Valve Positioner-Function Selection-Cargo Code Item No.								备注说明 Remark
	183131-1	183132-1	183131-1-P	183132-1-P	183231-1	183232-1	183231-1-P	183232-1-P	
价格(含税) RMB price	3880	4580	4300	5000	3880	4580	4300	5000	
输入(INPUT): 0/4-20mA/0-5V/10V	No	No	yes	yes	No	No	yes	yes	外部信号输入 External signal input
输入(INPUT): 0/4-20mA	yes	yes	yes	yes	yes	yes	yes	yes	
输出(Output): 0/4-20mA/0-5V/10V	No	No	yes	yes	No	No	yes	yes	反馈输出 Feedback output
单作用 Single action	yes	No	yes	No	yes	No	yes	No	气动执行器 Pneumatic actuator
双作用 Double-acting	No	yes	No	yes	No	yes	No	yes	
供电 power supply: DC24V ± 10%	yes	yes	yes	yes	yes	yes	yes	yes	电源 Power supply
总线通讯 Bus communication: MODE BUS RS485	yes	yes	No	No	yes	yes	No	No	总线通讯 Bus communication
适用范围 Scope of application: ≤ 114气缸 Cylinder	yes	yes	yes	yes	No	No	No	No	≤ 114 气缸Cylinder, 容量Capacity: ≥ 50& ≤ 220ml
适用范围 Scope of application: ≥ 133气缸 Cylinder	No	No	No	No	yes	yes	yes	yes	≥ φ 133 气缸Cylinder, 容量Capacity: ≥ 200 & ≤ 1000ml
故障, 断气、断电, 阀位保持 Fault, cut off air source, outage, keep valve position	yes	yes	yes	yes	yes	yes	yes	yes	故障时阀位保持 Keep valve position in Case of failure

注意: 订货时请注意货号, 例如“183131”; “yes”表示含该功能; “No”表示未含该功能

Note: Please pay attention to item number when placing order, for example of "183131": "yes" means it has the function, "No" means it does not contain the function

# IL-TOP-1441&1442 数字阀门定位器

## IL-TOP-1441&1442 series-digital valve positioner



领先技术、简单构造，  
中英文菜单、单键自整定、PID特性

leading technologies,  
simple structure,  
bilingual (Chinese and English) menu,  
single button for auto-adjusting,  
PID feature

### 技术特点

- 控制输入：0/4–20mA/0–5V/10V
- 反馈输出：0/4–20mA/0–5V/10V
- 供电：DC24V ± 10%
- 总线通讯：MODE BUS Rs485
- 精度：重复定位精度 ≤ 0.2%；
- 菜单：OLED 显示屏 中文&英文
- 整定：单键自整定功能
- 操作模式：手动 / 自动
- 故障：断气，断电，阀位自动复位(标准)  
阀位保持功能(可选)
- 行程角度：0–180°

### Technical Features

- INPUT: 0/4–20mA/0–5V/10V
- Feedback output: 0/4–20mA/0–5V/10V
- Power supply: DC24V ± 10%
- Bus communication: MODE BUS Rs485
- Accuracy: repeat positioning accuracy ≤ 0.2%;
- Menu: OLED display Chinese & English
- Adjusting: single button auto-adjusting function
- Operation mode: manual/automatic operation
- Safety function setting: cut off air source, outage,  
valve position automatic reset (standard)  
keep valve position (optional)
- Stroke angle: 0–180°



IL-TOP-1441是一款旋转角行程气动阀门定位器，可安装到各种气动阀门上，如气动球阀、截止阀、薄膜式气动调节阀等。安装该定位器后，可实现阀门流量调节，自动化控制、阀门位置显示，该产品具有外观佳、体积小、安装简单方便、无需专业人员即可操作调试。

IL-TOP-1441 is pneumatic valve positioner which is used for rotary motion. It could be installed to various kinds of pneumatic valves, such as pneumatic ball valve, globe valve, pneumatic diaphragm type regulating valve etc. With the positioner, could regulate valve flow, control automatically, valve position indication. This positioner with good appearance, small volume, easy installation, could be operated and debugged without professional.

功能描述/货号 Functional description/Item No.	IL-TOP-阀门定位器-功能选择-货物代码 IL-TOP-Valve Positioner-Function Selection-Cargo Code Item No.								备注说明 Remark
	144141	144142	144141-P	144142-P	144241	144242	144241-P	144242-P	
价格(含税) RMB price	3580	4280	4000	4700	3580	4280	4000	4700	
输入(INPUT): 0/4-20mA/0-5V/10V	No	No	yes	yes	No	No	yes	yes	外部信号输入 External signal input
输入(INPUT): 0/4-20mA	yes	yes	yes	yes	yes	yes	yes	yes	
输出(Output): 0/4-20mA/0-5V/10V	No	No	yes	yes	No	No	yes	yes	反馈输出 Feedback output
单作用 Single action	yes	No	yes	No	yes	No	yes	No	气动执行器 Pneumatic actuator
双作用 Double-acting	No	yes	No	yes	No	yes	No	yes	
供电 Power supply: DC24V ± 10%	yes	yes	yes	yes	yes	yes	yes	yes	电源 Power supply
总线通讯 Bus communication: MODE BUS RS485	yes	yes	No	No	yes	yes	No	No	总线通讯 Bus communication
适用范围 Range of application: ≤ 114气缸 Cylinder	yes	yes	yes	yes	No	No	No	No	≤ 114 气缸Cylinder, 容量Capacity: ≥ 50& ≤ 220ml
适用范围 Range of application: ≥ 133气缸 Cylinder	No	No	No	No	yes	yes	yes	yes	≥ 133 气缸Cylinder, 容量Capacity: ≥ 200 & ≤ 1000ml
故障, 断气, 断电, 复位(推荐) Fault, cut off air source, outage, valve position automatic reset (recommend)	yes	yes	yes	yes	yes	yes	yes	yes	故障时阀位复位 Valve position reset in case of failure

功能描述/货号 Functional description/Item No.	IL-TOP-阀门定位器-功能选择-货物代码 IL-TOP-Valve Positioner-Function Selection-Cargo Code Item No.								备注说明 Remark
	144141-1	144142-1	144141-1-P	144142-1-P	144241-1	144242-1	144241-1-P	144242-1-P	
价格(含税) RMB price	3880	4580	4300	5000	3880	4580	4300	5000	
输入(INPUT): 0/4-20mA/0-5V/10V	No	No	yes	yes	No	No	yes	yes	外部信号输入 External signal input
输入(INPUT): 0/4-20mA	yes	yes	yes	yes	yes	yes	yes	yes	
输出(Output): 0/4-20mA/0-5V/10V	No	No	yes	yes	No	No	yes	yes	反馈输出 Feedback output
单作用 Single action	yes	No	yes	No	yes	No	yes	No	气动执行器 Pneumatic actuator
双作用 Double-acting	No	yes	No	yes	No	yes	No	yes	
供电 power supply: DC24V ± 10%	yes	yes	yes	yes	yes	yes	yes	yes	电源 Power supply
总线通讯 Bus communication: MODE BUS RS485	yes	yes	No	No	yes	yes	No	No	总线通讯 Bus communication
适用范围 Range of application: ≤ 114气缸 Cylinder	yes	yes	yes	yes	No	No	No	No	≤ 114 气缸Cylinder, 容量Capacity: ≥ 50& ≤ 220ml
适用范围 Range of application: ≥ 133气缸 Cylinder	No	No	No	No	yes	yes	yes	yes	≥ 133 气缸Cylinder, 容量Capacity: ≥ 200 & ≤ 1000ml
故障, 断气, 断电, 阀位保持 Fault, cut off air source and power supply, keep valve position	yes	yes	yes	yes	yes	yes	yes	yes	故障时阀位保持 Keep valve position in case of failure

注意: 订货时请注意货号, 例如“144141”; “yes”表示含该功能; “No”表示未含该功能;  
Note: Please pay attention to the item number when ordering, for example “144141”; “yes” means that it has the function;  
“No” means that it does not contain the function;

# IL-TOP-1891 数字防爆阀门定位器

## IL-TOP-1891 series-digital anti-explosion valve positioner

EX

领先技术、简单构造，  
中英文菜单、单键自整定、PID特性

leading technologies,  
simple structure,  
bilingual (Chinese and English) menu,  
single button for auto-adjusting,  
PID feature



### 工作原理

定位器采集模拟信号或计算机信号--转换为阀位设定值--执行机构的直线或转角实际位移--通过连接装置转换为角度位移--并由位置传感器检测--反馈至微芯片处理器。由微芯片处理器将实际阀位反馈值和设定值进行比对--根据比对后差值大小和方向输出脉宽调制指令(PWM)到压电阀--压电阀根据控制指令膜头进气和排气--最终实现控制阀门位置调节。

### 技术特点

- 控制输入：4-20mA
- 反馈输出：4-20mA
- 供电：4-20mA
- 总线通讯：HART 6/7
- 精度：重复定位精度 $\leq 0.2\%$ ；
- 菜单：显示屏中文&英文
- 整定：单键自整定功能
- 操作模式：手动 / 自动
- 故障：断气，断电，阀位自动复位(标准) 阀位保持功能(可选)
- 行程角度：0-180°
- 防爆等级：EX IDII CT6

### Working Principle

The Positioner assembled to linear or part-turn actuator is detected by a sensor which output the actual position value to microprocessor. According to the difference between setpoint and actual value, microprocessor outputs a pwm increases or decreases according to the difference between setpoint and actual value. the valve moves forward to setpoint, and then the valve position will be fixed, Finally realize the control valve position adjustment.

### Technical Features

- INPUT: 4-20mA
- Feedback output: 4-20mA
- Power supply: 4-20mA
- Bus communication: HART 6/7
- Accuracy: repeat positioning accuracy  $\leq 0.2\%$ ;
- Menu: display Chinese & English
- Adjusting: single button auto-adjusting function
- Operation mode: manual/automatic operation
- Safety function setting: cut off air source, outage, valve position automatic reset (standard) keep valve position(optional)
- Stroke angle: 0-180°
- Explosion-proof grade: EX IDII CT6



IL-TOP-1891是一款旋转角行程气动防爆阀门定位器，可安装到各种气动阀门上，如气动球阀、截止阀、薄膜式气动调节阀等。安装该定位器后，可实现阀门流量调节，自动化控制、阀门位置显示，该产品具有外观佳、体积小、安装简单方便、无需专业人员即可操作调试。

IL-TOP-1891 is pneumatic valve anti-explosion positioner which is used for rotary motion. It could be installed to various kinds of pneumatic valves, such as pneumatic ball valve, globe valve, pneumatic diaphragm type regulating valve etc. With the positioner, could regulate valve flow, control automatically, valve position indication. This positioner with good appearance, small volume, easy installation, could be operated and debugged without professional.

功能描述/货号 Functional description/Item No.	IL-TOP-防爆阀门定位器-功能选择-货物代码 IL-TOP-Explosion-proof valve positioner-function selection-cargo code Item No.						备注说明 Remark
	189141	189142	189141-P	189142-P	189141-HART	189142-HART	
价格(含税) RMB price	4000	4800	4500	5200	4000	4800	
供电&输入(Power Supply & INPUT): 4-20mA	yes	yes	yes	yes	yes	yes	外部信号输入 External signal input
输出(Output): 4-20mA	No	No	yes	yes	No	No	反馈输出 Feedback output
单作用 Single acting	yes	No	yes	No	yes	No	气动执行器 Pneumatic actuator
双作用 Double acting	No	yes	No	yes	No	yes	
总线通讯 Bus communication: HART 6/7	No	No	No	No	yes	yes	总线通讯 Bus communication
故障, 断气、断电, 复位(推荐) Fault, cut off air source, outage, valve position automatic reset (recommend)	yes	yes	yes	yes	yes	yes	故障时阀位复位 Valve position reset in case of failure

功能描述/货号 Functional description/Item No.	IL-TOP-防爆阀门定位器-功能选择-货物代码 IL-TOP-Explosion-proof valve positioner-function selection-cargo code Item No.						备注说明 Remark
	189141-1	189142-1	189141-1-P	189142-1-P	189141-1-HART	189142-1-HART	
价格(含税) RMB price	4300	5100	4800	5500	4300	5100	
供电&输入(Power Supply & INPUT): 4-20mA	yes	yes	yes	yes	yes	yes	外部信号输入 External signal input
输出(Output): 4-20mA	No	No	yes	yes	No	No	反馈输出 Feedback output
单作用 Single acting	yes	No	yes	No	yes	No	气动执行器 Pneumatic actuator
双作用 Double acting	No	yes	No	yes	No	yes	
总线通讯 Bus communication: HART 6/7	No	No	No	No	yes	yes	总线通讯 Bus communication
故障, 断气、断电, 阀位保持 Fault, cut off air source, outage, keep valve position	yes	yes	yes	yes	yes	yes	故障时阀位保持 keep valve position in case of failure

注意: 订货时请注意货号, 例如“189141”; “yes”表示含该功能; “No”表示未含该功能;

Note: Please pay attention to item number when placing order, for example of "189141": "yes" means it has the function, "No" means it does not contain the function;

# C-TOP-1721 数字阀门控制单元

## C-TOP-1721 series-digital valve control unit



领先技术、简单构造，单键自整定、PID特性、内置电磁阀、内置传感器、内置LED灯、内置电路板、嵌入软件算法

leading technologies, simple structure, single button for auto-adjusting, PID feature, Built-in solenoid valve, built-in sensor, built-in LED light, built-in circuit board, embedded software algorithm

### 技术特点

- 控制输入：PNP DC 24V
- 反馈输出：PNP DC 24V & 4-20mA
- 供电：DC24V ± 10%
- 总线通讯：AS-I-BUS
- 精度：重复定位精度 ≤ 0.5mm；
- 整定：单键自整定功能
- 操作模式：自动&手动
- 防泄漏诊断功能
- 显示：三段灯颜色  
开启：绿色/红色  
关闭：红色/绿色  
中间位置：黄色，适用于防混阀
- 行程范围：0-60mm

### Technical Features

- INPUT: PNP DC 24V
- Feedback output: PNP DC 24V & 4-20mA
- Power supply: DC24V ± 10%
- Bus communication: AS-I BUS
- Accuracy: repeat positioning accuracy ≤ 0.5mm;
- Adjusting: single button auto-adjusting function
- Operation mode: manual/automatic operation
- Leakproof diagnostic function
- Display: three-section light color  
Open: green / red  
Close: red / green  
Middle position: yellow, suitable for mixproof valve
- Stroke range: 0-60mm



C-TOP-1721 是一款直行程气动阀门控制单元，主要设计于用来阀门过程控制，它与大多数的PLC(可编程逻辑控制器) 自动化系统兼容，带数字通讯或总线通讯(AS-I BUS)。包括位置反馈输出、三段LED灯显示、防泄漏功能、阀门启闭控制等功能，用来控制所有类型的过程阀门。它可安装到各种气动阀门上，如气动蝶阀，球阀，隔膜阀，角座阀，截止阀，换向阀，防混阀等。

C-TOP-1721 is pneumatic valve control unit which is used for linear motion. It's mainly designed for process control of valve. It's compatible with most PLC automatic system, with digital communication or AS-I BUS communication. It's used to control all kinds of processing valves by position feedback output, 3-section LED light display, leakproof, valve on/off, ect. It could be installed to various kinds of pneumatic valves, such as pneumatic butterfly valve, ball valve, diaphragm valve, angle seat valve, reversing valve and mixproof valve, etc.

功能描述/货号 Functional description/Item No.	C-TOP-阀门控制单元-功能选择-货物代码 C-TOP-valve control unit-function selection-cargo code Item No.						备注说明 Remark
	172131	172132	172133	172131-ASI	172132-ASI	172133-ASI	
价格(含税) RMB price	1150	1570	2000	2000	2400	2850	
输入(INPUT): PNP DC24V	yes	yes	yes	yes	yes	yes	外部信号输入 External signal input
输出(Output): 4-20mA/3个位置 PNP DC 24V	yes	yes	yes	yes	yes	yes	反馈输出3个位置 Feedback output 3 position & 4-20mA
单作用 Single acting	yes	No	No	yes	No	No	单作用气动执行器 Single action pneumatic actuators
双作用 Double-acting	No	yes	No	No	yes	No	双作用气动执行器 Duble action pneumatic actuators
三作用 Three-acting	No	No	yes	No	No	yes	三作用气动执行器 Three action pneumatic actuators
供电(Power): DC24V ± 10%	yes	yes	yes	No	No	No	电源 Power supply
总线通讯 Bus communication AS-I BUS 3.0	No	No	No	yes	yes	yes	总线通讯 Bus communication

注意：订货时请注意货号，例如“172131”；“yes”表示含该功能；“No”表示未含该功能；  
 Note: Please pay attention to item number when placing order, for example of "172131": "yes" means it has the function, "No" means it does not contain the function;



# MINI C-TOP-1711 数字阀门控制单元

## MINI C-TOP-1711 series-digital valve control unit



领先技术、简单构造，单键自整定、PID特性、内置电磁阀、内置传感器、内置LED灯、内置电路板、嵌入软件算法

leading technologies, simple structure, single button for auto-adjusting, PID feature, Built-in solenoid valve, built-in sensor, built-in LED light, built-in circuit board, embedded software algorithm



### 技术特点

- 控制输入：PNP DC 24V
- 反馈输出：PNP DC 24V & 4-20mA
- 供电：DC24V ± 10%
- 总线通讯：AS-I-BUS
- 精度：重复定位精度 ≤ 0.5mm；
- 整定：单键自整定功能
- 操作模式：自动&手动
- 防泄漏诊断功能
- 显示：二段灯颜色，开启：绿色/红色，关闭：红色/绿色
- 行程范围：0-30mm

### Technical Features

- INPUT: PNP DC 24V
- Feedback output: PNP DC 24V & 4-20mA
- Power supply: DC24V ± 10%
- Bus communication: AS-I BUS
- Accuracy: repeat positioning accuracy ≤ 0.5mm
- Adjusting: single button auto-adjusting function
- Operation mode: manual/automatic operation
- Leakproof diagnostic function
- Display: two-section light color  
Open: green / red, Close: red / green
- Stroke range: 0-30mm



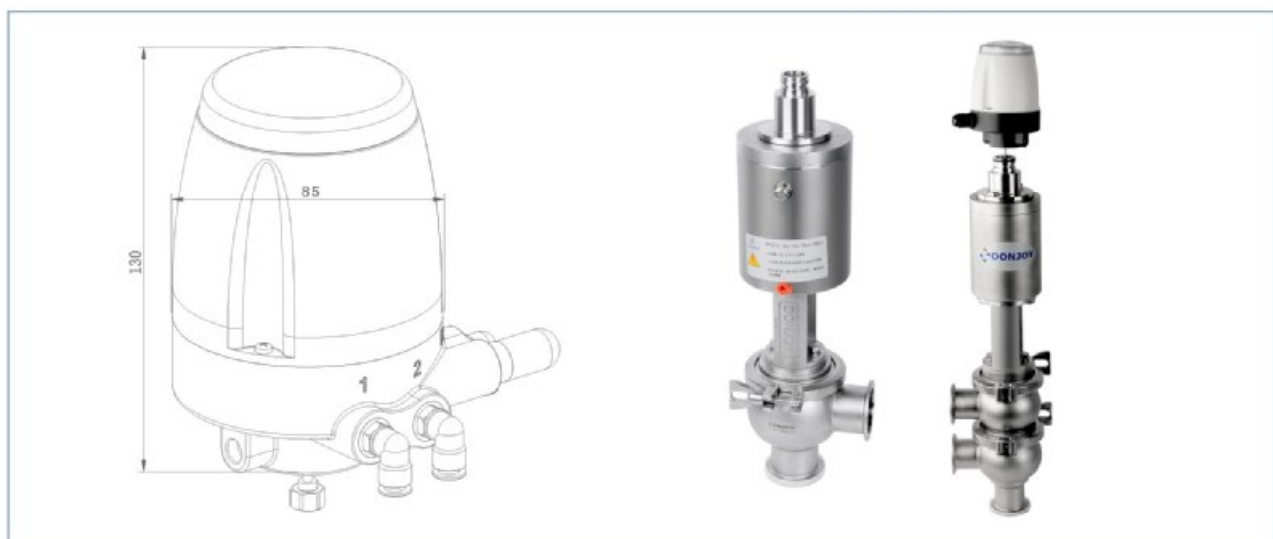
C-TOP-1711 是一款直行程气动阀门控制单元，主要设计于用来阀门过程控制，它与大多数的PLC(可编程逻辑控制器) 自动化系统兼容，带数字通讯或总线通讯(AS-I BUS)。包括位置反馈输出、二段LED灯显示、防泄漏功能、阀门启闭控制等功能，用来控制所有类型的过程阀门。它可安装到各种气动阀门上，如气动蝶阀，球阀，隔膜阀，角座阀，截止阀，换向阀等。

C-TOP-1711 is pneumatic valve control unit which is used for linear motion. It's mainly designed for process control of valve. It's compatible with most PLC automatic system, with digital communication or AS-I BUS communication. It's used to control all kinds of processing valves by position feedback output, 2-section LED light display, leakproof, valve on/off, ect. It could be installed to various kinds of pneumatic valves, such as pneumatic butterfly valve, ball valve, diaphragm valve, angle seat valve, reversing valve and mixproof valve etc.

功能描述/货号 Functional description/Item No.	C-TOP- 阀门控制单元-功能选择-货物代码 C-TOP-valve control unit-function selection-cargo code				备注说明 Remark
	171131	171132	171131-ASI	171132-ASI	
价格(含税) RMB price	1150	1500	2000	2400	
输入(INPUT): PNP DC24V	yes	yes	yes	yes	外部信号输入 External signal input
输出(Output): 4-20mA/2个位置 PNP DC 24V	yes	yes	yes	yes	反馈输出2个位置 Feedback output 2 position & 4-20mA
单作用 Single acting	yes	No	yes	No	单作用气动执行器 Single action pneumatic actuators
双作用 Double-acting	No	yes	No	yes	双作用气动执行器 Duble action pneumatic actuators
供电(Power): DC24V ± 10%	yes	yes	No	No	电源 Power supply
总线通讯 Bus communication AS-I BUS 3.0	No	No	yes	yes	总线通讯 Bus communication

注意：订货时请注意货号，例如“171131”；“yes”表示含该功能；“No”表示未含该功能；

Note: Please pay attention to item number when placing order, for example of "171131"; "yes" means it has the function, "No" means it does not contain the function;



非常的简单灵活的安装，无需专用工具和专业人员，即可完成安装。

Very simple flexible installation, no special tools and professionals are required to complete the installation.

# SUPER MINI C-TOP-1881 数字阀门控制单元

## SUPER MINI C-TOP-1881 series-digital valve control unit



领先技术、简单构造，单键自整定、PID特性、内置电磁阀、内置传感器、内置LED灯、内置电路板、嵌入软件算法

leading technologies, simple structure, single button for auto-adjusting, PID feature, Built-in solenoid valve, built-in sensor, built-in LED light, built-in circuit board, embedded software algorithm

### 技术特点

- 控制输入：PNP DC 24V
- 反馈输出：PNP DC 24V
- 供电：DC24V ± 10%
- 总线通讯：AS-I-BUS
- 精度：重复定位精度 ≤ 0.2%；
- 整定：单键自整定功能
- 操作模式：自动&手动
- 防泄漏诊断功能
- 显示：二段灯颜色，开启：绿色/红色，关闭：红色/绿色
- 行程范围：0-60mm/0-30mm

### Technical Features

- INPUT: PNP DC 24V
- Feedback output: PNP DC 24V & 4-20mA
- Power supply: DC24V ± 10%
- Bus communication: AS-I BUS
- Accuracy: repeat positioning accuracy ≤ 0.2%;
- Adjusting: single button auto-adjusting function
- Operation mode: manual/automatic operation
- Leakproof diagnostic function
- Display: two-section light color  
Open: green / red, Close: red / green
- Stroke range: 0-60mm/0-30mm

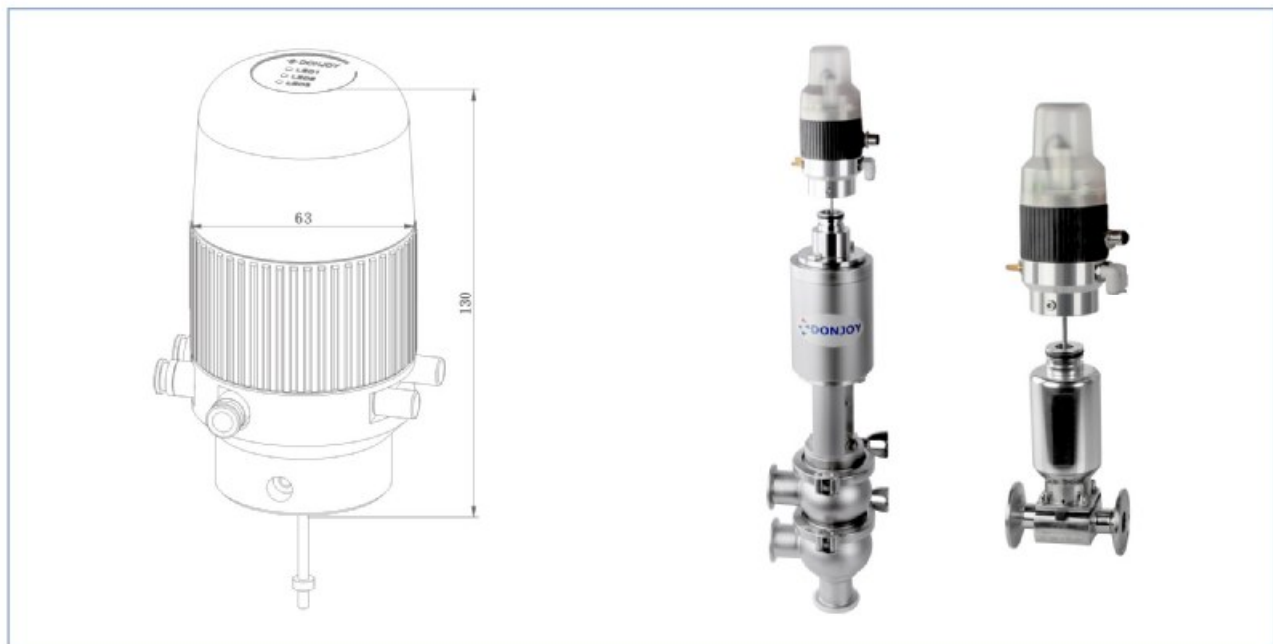


C-TOP-1881 是一款直行程气动阀门迷你型控制单元，主要设计于用来阀门过程控制，它与大多数的PLC(可编程逻辑控制器)自动化系统兼容，带数字通讯或总线通讯(AS-I BUS)。包括位置反馈输出、二段LED灯显示、防泄漏功能、阀门启闭控制等功能，用来控制所有类型的过程阀门。它可安装到各种气动阀门上，如气动蝶阀，球阀，隔膜阀，角座阀，截止阀，换向阀等。

C-TOP-1881 is pneumatic valve mini control unit which is used for linear motion. It's mainly designed for process control of valve. It's compatible with most PLC automatic system, with digital communication or AS-I BUS communication. It's used to control all kinds of processing valves by position feedback output, 2-section LED light display, leakproof, valve on/off, ect. It could be installed to various kinds of pneumatic valves, such as pneumatic butterfly valve, ball valve, diaphragm valve, angle seat valve, globe valve and reversing valve etc.

功能描述/货号 Functional description/Item No.	C-TOP-阀门控制单元-功能选择-货物代码 C-TOP-valve control unit-function selection-cargo code Item No.		
	188131	188132	备注说明 Remark
价格(含税) RMB price	1150	1500	
输入(INPUT): PNP DC24V	yes	yes	外部信号输入 External signal input
输出(Output): 2个位置 PNP DC 24V	yes	yes	反馈输出2个位置 Feedback output 2 position
单作用 Single acting	yes	No	单作用气动执行器 Single action Pneumatic actuators
双作用 Double-acting	No	yes	双作用气动执行器 Duble action pneumatic actuators
供电: DC24V ± 10%	yes	yes	电源 Power supply

适用于: ≤85气缸, 单向气缸容量≤150ml;  
Applicable to: ≤85 cylinders, one-way cylinder capacity ≤150ml.



非常的简单灵活的安装，无需专用工具和专业人员，即可完成安装。  
Very simple flexible installation, no special tools and professionals are required to complete the installation.

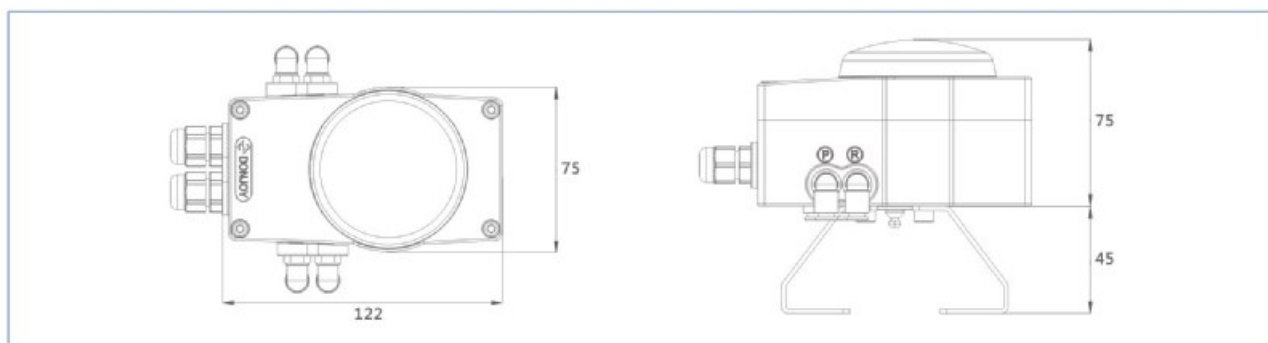
# C-TOP-1561 数字阀门控制单元

## C-TOP-1561 series-digital valve control unit



领先技术、简单构造，单键自整定、PID特性、内置电磁阀、内置传感器、内置LED灯、内置电路板、嵌入软件算法

leading technologies, simple structure, single button for auto-adjusting, PID feature, Built-in solenoid valve, built-in sensor, built-in LED light, built-in circuit board, embedded software algorithm



### 技术特点

- 控制输入：PNP DC 24V
- 反馈输出：PNP DC 24V & 4-20mA
- 供电：DC24V ± 10%
- 总线通讯：AS-I-BUS
- 精度：重复定位精度 ≤ 0.2%；
- 整定：单键自整定功能
- 操作：自动&手动
- 防泄漏诊断功能
- 显示：二段灯颜色，开启：绿色/红色，关闭：红色/绿色
- 行程角度：0-180°

### Technical Features

- INPUT: PNP DC 24V
- Feedback output: PNP DC 24V & 4-20mA
- Power supply: DC24V ± 10%
- Bus communication: AS-I BUS
- Accuracy: repeat positioning accuracy ≤ 0.2%;
- Adjusting: single button auto-adjusting function
- Operation mode: manual/automatic operation
- Leakproof diagnostic function
- Display: two-section light color  
Open: green / red, Close: red / green
- Stroke angle: 0-180°



C-TOP-1561 是一款旋转角行程气动阀门控制单元，主要设计用于阀门过程控制，它与大多数的PLC(可编程逻辑控制器) 自动化系统兼容，带数字通讯或总线通讯(AS-I BUS)。包括位置反馈输出、二段LED灯显示、防泄漏功能、阀门启闭控制等功能，用来控制所有类型的过程阀门。它可安装到各种气动阀门上，如气动蝶阀，球阀，截止阀等旋转行程的阀门。

C-TOP-1561 is pneumatic valve control unit which is used for rotary motion. It's mainly designed for process control of valve. It's compatible with most PLC automatic system, with digital communication or AS-I BUS communication. It's used to control all kinds of processing valves by position feedback output, 2-section LED light display, leakproof, valve on/off, ect. It could be installed to various kinds of pneumatic valves, such as pneumatic butterfly valve, ball valve, globe valve etc which is in rotary motion.

功能描述/货号 Functional description/Item No.	C-TOP-阀门控制单元-功能选择-货物代码 C-TOP-valve control unit-function selection-cargo code Item No.				备注说明 Remark
	156141	156142	156141-ASI	156142-ASI	
价格(含税) RMB price	1200	1200	2100	2100	
输入(INPUT): PNP DC24V	yes	yes	yes	yes	外部信号输入 External signal input
输出(Output): 4-20mA / 2个位置 PNP DC 24V	yes	yes	yes	yes	反馈输出2个位置 Feedback output 2 position & 4-20mA
单作用 Single acting	yes	No	yes	No	单作用气动执行器 Single action pneumatic actuators
双作用 Double-acting	No	yes	No	yes	双作用气动执行器 Duble action pneumatic actuators
供电(Power): DC24V ± 10%	yes	yes	No	No	电源 Power supply
总线通讯 Bus communication AS-I BUS 3.0	No	No	yes	yes	总线通讯 Bus communication

注意：订货时请注意货号，例如“156141”；“yes”表示含该功能；“No”表示未该含功能；  
Note: Please pay attention to item number when placing order, for example of "156141"; "yes" means it has the function, "No" means it does not contain the function;



非常的简单灵活的安装，无需专用工具和专业人员，即可完成安装。  
Very simple flexible installation, no special tools and professionals are required to complete the installation.

# SUPER MINI F-TOP-1553 数字阀门位置反馈器

## SUPER MINI F-TOP-1553 series-digital valve position feedback unit



领先技术、简单构造，  
单键自整定、PID特性

leading technologies,  
simple structure,  
single button for auto-adjusting,  
PID feature

F-TOP-1553 是一款直行程气动阀门位置反馈器，主要设计用于阀门过程位置反馈，它与大多数的PLC(可编程逻辑控制器)自动化系统兼容，带数字通讯。包括位置反馈输出、三段LED灯显示、防泄漏功能等，用来控制所有类型的过程阀门。它可安装到各种气动阀门上，如气动蝶阀，球阀，隔膜阀，角座阀，截止阀，换向阀等。

F-TOP-1553 is pneumatic valve position feedback unit which is used for linear motion. It's mainly designed for process position feedback of valve. It's compatible with most PLC automatic system, with digital communication. It's used to control all kinds of processing valves by position feedback output, 3-section LED light display, leakproof, etc. It could be installed to various kinds of pneumatic valves, such as pneumatic butterfly valve, ball valve, diaphragm valve, angle seat valve, globe valve and reversing valve etc.

### 技术特点

- 反馈输出: PNP DC 24V & 4-20mA
- 供电: DC24V ± 10%
- 精度: 重复定位精度 ≤ 0.2%;
- 防泄漏诊断功能
- 显示: 三段灯颜色, 开启: 绿色/红色, 关闭: 红色/绿色
- 中间位置: 黄色, 适用于防混阀
- 行程范围: 0-60mm/0-30mm

### Technical Features

- Feedback output: PNP DC 24V & 4-20mA
- Power supply: DC24V ± 10%
- Accuracy: repeat positioning accuracy ≤ 0.2%;
- Leakproof diagnostic function
- Display: three-section light color  
Open: green / red, Close: red / green
- Middle position: yellow, suitable for mixproof valve
- Stroke range: 0-60mm/0-30mm

功能描述/货号 Functional description/Item No.	C-TOP-阀门控制单元-功能选择-货物代码 C-TOP-valve control unit-function selection-cargo code Item No.	
价格(含税) RMB price	1553	备注说明 Remark
输出(Output): 4-20mA/3个位置PNP DC 24V	yes	反馈输出3个位置 Feedback output 3 position & 4-20mA
供电(Power): DC24V ± 10%	yes	电源 Power supply

# F-TOP-1671 数字阀门位置反馈器

## F-TOP-1671 series-digital valve position feedback unit



领先技术、简单构造，  
单键自整定、PID特性

leading technologies,  
simple structure,  
single button for auto-adjusting,  
PID feature

F-TOP-1671 是一款旋转角行程气动阀门位置反馈器，主要设计于用来阀门过程位置反馈，它与大多数的PLC(可编程逻辑控制器) 自动化系统兼容，带数字通讯或总线通讯(AS-I BUS)。包括位置反馈输出、三段LED灯显示、防泄漏功能等，用来控制所有类型的过程阀门。它可安装到各种气动阀门上，如气动蝶阀，球阀，截止阀等旋转行程的阀门上。

F-TOP-1671 is pneumatic valve position feedback unit which is used for rotary motion. It's mainly designed for process position feedback of valve. It's compatible with most PLC automatic system, with digital communication or AS-I BUS communication. It's used to control all kinds of processing valves by position feedback output, 3-section LED light display, leakproof, etc. It could be installed to various kinds of pneumatic valves, such as pneumatic butterfly valve, ball valve, globe valve etc which is in rotary motion.

### 技术特点

- 反馈输出：PNP DC 24V & 4-20mA
- 供电：DC24V ± 10%
- 总线通讯：AS-I-BUS
- 精度：重复定位精度 ≤ 0.2%；
- 整定：单键自整定功能
- 防泄漏诊断功能
- 显示：三段灯颜色，开启：绿色/红色，关闭：红色/绿色
- 中间位置：黄色(使用三段式执行器)
- 行程角度：0-180°

### Technical Features

- Feedback output: PNP DC 24V & 4-20mA
- Power supply: DC24V ± 10%
- Bus communication: AS-I BUS
- Accuracy: repeat positioning accuracy ≤ 0.2%;
- Adjusting: single button auto-adjusting function
- Leakproof diagnostic function
- Display: three-section light color  
Open: green / red, Close: red / green
- Middle position: yellow (using a three-stage actuator)
- Stroke angle: 0-180°

功能描述/货号 Functional description/Item No.	F-TOP-阀门位置反馈器-功能选择-货物代码 F-TOP-Valve position feedback unit-function selection-cargo code Item No.		
	1671	1671-ASI	备注说明 Remark
价格(含税) RMB price	700	1100	
输出(Output): 4-20mA/3个位置 PNP DC 24V	yes	yes	反馈输出3个位置 Feedback output 3 position & 4-20mA
供电(Power): DC24V ± 10%	yes	No	电源 Power supply
总线通讯 Bus communication AS-I BUS 3.0	No	yes	总线通讯 Bus communication





DONJOY looking forward to your visit! Your telecommunications!



## 东正科技有限公司 DONJOY TECHNOLOGY CO.,LTD.

地址: 温州空港新区港富路25号  
总机: 0577-86990888  
传真: 0577-86998000

Add: No.25 Gang fu Road, konggang  
new District, Longwan Wenzhou, China  
Tel: +86-577-86990888  
Fax: +86-577-86998000  
E-mail: donjoy@cndonjoy.com

[www.cndonjoy.com](http://www.cndonjoy.com)

### 法律声明:

目录样册版权归东正所有, 如有抄袭, 必将追究其法律责任和经济赔偿。  
东正已获得国家版权局书刊号。东正诸多产品技术, 都具有专利保护, 如有抄袭,  
必将追究法律责任和经济赔偿。

### Legal statement:

Copyright of the catalogue belongs to Donjoy. If there is plagiarism,  
it will be investigated for legal responsibility and economic compensation.  
Donjoy has been granted publications number by China's National Copyright.  
Donjoy products and technology with patent protection,  
If there is plagiarism, it will be investigated for legal responsibility  
and economic compensation.