

Purity pumps

2018 / 洁净泵 / 智能制造



国家高新技术企业 浙江省著名商标

东正一直致力于技术革新
是您值得信赖的事业伙伴
**Donjoy has been committed to
technical innovation, is your trustworthy
business partner!**

目录册技术资料仅供参考，
东正保留更新和升级的权利，恕不另行通知！

Catalogue technical information only for reference.
Donjoy reserves the rights to update and upgrade
without prior notice.

法律声明:

目录样册版权归东正所有，
如有抄袭，必将追究其法律责任和经济赔偿。
东正已获得国家版权局书刊号。
东正诸多产品技术，都具有专利保护，
如有抄袭，必将追究法律责任和经济赔偿。

Legal statement:

Copyright of the catalogue belongs to Donjoy.
If there is plagiarism, it will be investigated for legal
responsibility and economic compensation.
Donjoy has been granted publications number by
China's National Copyright.
Donjoy products and technology with patent protection,
If there is plagiarism, it will be investigated for legal
responsibility and economic compensation.

温州空港新区总部生产基地 Wenzhou airport economic zone production base



占地面积约29000m²，总投资约1.2亿RMB，约2000万USD。

Covering an area of 29000 m², with total investment about 120 million RMB, i.e., 20 million USD.

领先源于创新 创新源于专业

东正的专业与品质的邂逅源于创新的精神

东正创立于1993年，注册资本6088万(约1000万USD)，是一家专注于高精度PID阀门定位器，阀门控制单元，阀门位置反馈器、智能自控阀、比例调节阀、过程控制阀、高洁净泵、均质混合泵、清洗技术、压力容器、管道安全控制技术、高洁净管材和管道配件，集研发、生产与销售为一体的国家高新技术企业。产品用途涉及行业和领域有生物制药、食品饮料、酿酒、精细化工等工业领域。东正领先的技术和持续创新解决方案，对满足全球，尤其是新兴市场不断增长生物制药和食品饮料行业的需求起到了积极作用。

东正制造的产品母材料、加工技术、焊接技术、表面处理等技术指标均已达到国际领先水平。且符合ASME BPE、EHEDG、FDA、3A等一系列国际标准和规范要求。先后通过了由德国 TÜV 机构实施的欧盟承压设备指令(PED-97/23/EC)和(MD-06/42/EC)认证；美国 3A机构实施的3-A卫生标准认证；中国安全阀特种制造设备(TS)许可证和中国质量认证中心CQC ISO9001:2015 质量管理体系认证等多项国际权威认证。

东正凭借领先的技术、优异的品质和完善的售后服务体系，公司荣获为《国家高新技术企业》，《浙江省著名商标》、《科技型企业》、《创新型企业》、《专利示范企业》、《研发中心企业》，《守合同重信用AAA企业》等众多荣誉称号。





Leading from innovation, innovation from the professionalism! Donjoy's professionalism and quality come from the spirit of innovation!

Donjoy was founded in 1993, with registered capital RMB 60.88 million (about 10 million USD). We focus on developing high-precision PID valve positioner, Valve Control unit, Valve Position feedback device, intelligent automatic control valve, proportional valve, process control valve, high purity pump, homogeneous mixing pump, cleaning technology, pressure vessel, pipeline safety control technology, high clean pipe fitting & pipeline accessories and integrating R&D, production and sales as an integrated national high-tech enterprises. Donjoy's products are widely used in bio-pharmaceutical, food and beverage, wine, fine chemicals and other industrial fields. Donjoy's leading technology and innovation solutions meet growing demand in the industry of bio-pharmaceutical, food and beverage from the whole world, special emerging market.

Raw material, processing technology, welding technology, surface treatment and other technology from Donjoy have achieved advanced level in international market. It also complies with a series of international standards and specifications such as ASME BPE, EHEDG, FDA and 3A. It has passed the EU Pressure Equipment Directive (PED-97/23/EC) and (MD-06/42/EC) issued by the German TÜV organization; the 3-A health standard certification issued by the 3A organization; China Safety Valve Special Manufacturing Equipment (TS) License, China Quality Certification Center (CQC) and Quality Management System Certification (ISO9001:2015) and many other international authoritative certifications.

With advanced technology, excellent quality and perfect after-sales service system, Donjoy was awarded as National High-tech Enterprise, Provincial Famous Trademark, Science and Technology Enterprise, Innovative Enterprise, Patent Demonstration Enterprise, R & D Center Enterprise, AAA Credit Enterprise and many other honorary



全面的创新技术能力
为您带来创造性的解决方案



Comprehensive innovation technology, capabilities Bring you creative solutions

东正拥有诸多领先的产品技术，如各种比例调节阀、过程自控阀、生物制药隔膜阀、防混双座阀、压力容器和管道安全控制技术、清洗技术、高洁净转子泵、螺杆泵、离心泵、自吸泵、均质乳化泵、均质混合泵、卫生管件和无菌管件等.....

Donjoy has many leading technology products, such as various proportioning regulating valve, process automatic control valve, pharmaceutical diaphragm valve, mixed double seat valve, pressure vessel and pipeline safety control technology, clean technology, high cleanliness rotor pump, screw pump, centrifugal pump, self-priming pump, homogeneous emulsion pump, homogeneous mixing pump, sanitary fittings and aseptic pipe fittings and so on...



企业的成功源于创新。东正的成功基于创始人“开拓创新、追求卓越”的创新精神，1994年东正开发了第一只高洁净的蝶阀，这只蝶阀是东正的起始点。

控制器的研发成就完美的过程自动控制，2004年东正成功研发了技术领先的阀门定位器、阀门控制单元。

高洁净泵的研发确保物料输送的洁净，2006年东正成功研发了高精端的转子泵、离心泵、混合泵、自吸泵。

我们一直走在行业与时代的前沿，把不断革新的技术、日新月异的市场发展和客户需求作为自身最大的挑战。东正有自己的独立的思维和视野，始终保持领先致力于产品在新经济领域中的开发和应用。未来我们将一如既往的坚持以技术创新、以顾客为导向走向新的成功。



Success of an enterprise stems from innovation. Donjoy's success is based on the founder's innovative spirit of "pioneering innovation and pursuing excellence". In 1994, Donjoy developed the first highly purity butterfly valve, which was the starting point of donjoy.

Research and development of the controller achieves perfect automatic process control, In 2004, Donjoy has successfully developed advanced valve positioner and valve control unit.

Research and development of high purity pump ensure purity of transferred medium. In 2006, Donjoy successfully research developed high precision lobe pump, centrifugal pump, mixed pump, self-priming pump.

We are always at the forefront of the industry and times, taking the continuous innovation of technology, rapid market development and customer demand as our biggest challenge. Donjoy has its own independent thought and horizons, and always maintains a leading position in the development and application of products in the new economic field. In the future, we will continue to adhere to technological innovation and customer-oriented towards new success.



精益加工车间 Lean processing workshop



东正以科学技术领先为第一生产力，也是企业核心竞争力。只有不断投入核心技术研发和创新，不断追求卓越、精益求精、以先进生产设备，严格的质量管理体系，严谨的检测流程、保证每款产品的优良性能。

Donjoy takes leading in science and technology as the first productive force as well as the core competitiveness of the enterprise. Only by continuously investing in core technology research and development and innovation, we are constantly pursuing prominence, excellence, advanced production equipment, strict quality management system and rigorous testing process, to ensure excellent quality and performance of each product.



机器人生产线 Robot production line

装配车间 Assembly workshop



荣誉与资质 Honor and qualification

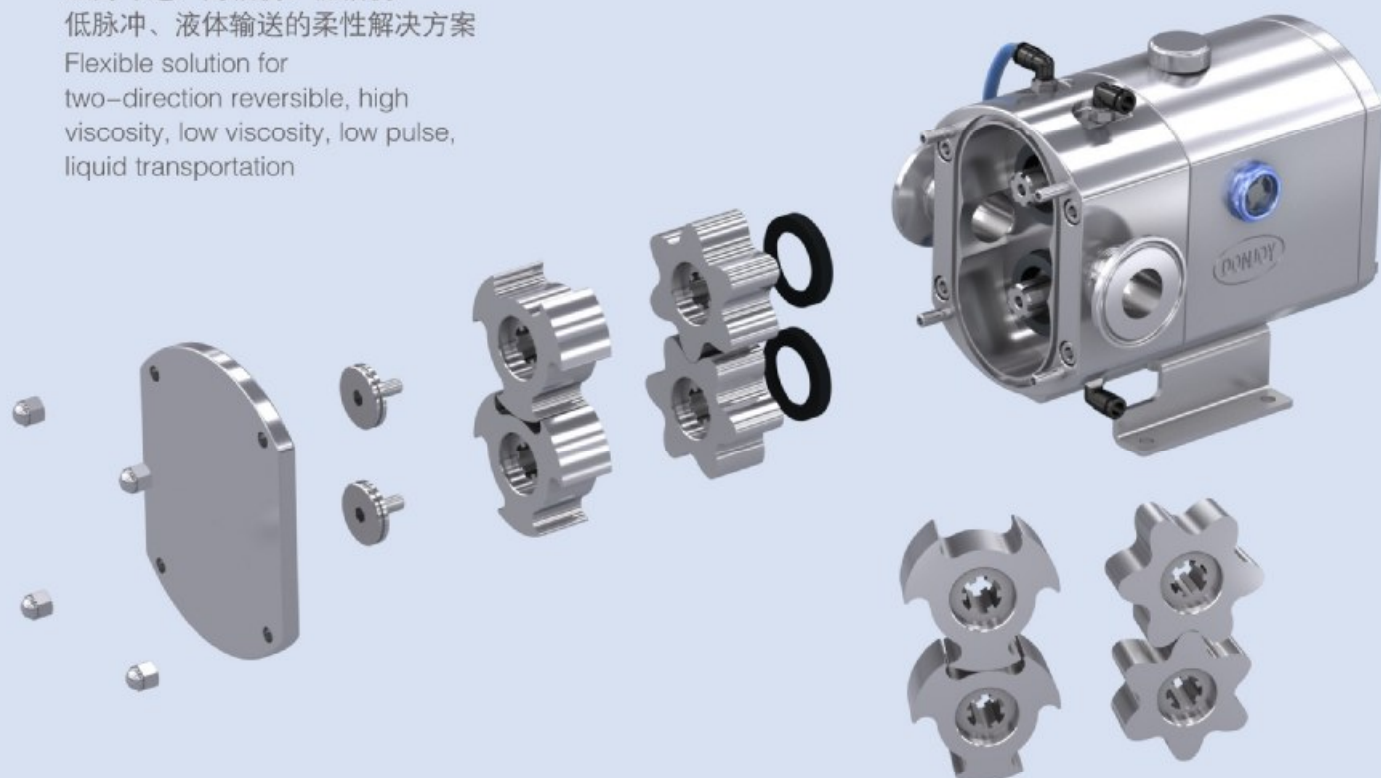
	<p>3A</p> <p>东正是美国3A认证组织的成员，3A是一个自愿组织，致力于维护公共卫生和奶制品产品质量通过独特的行业监管程序的设备，用于处理乳制品的卫生标准3-A。 Donjoy is a member of US 3A Certification Organization, 3A is a voluntary organization dedicated to maintaining the quality of public health and dairy products through a unique industry regulatory process for the treatment of dairy product hygiene standards 3-A.</p> <ul style="list-style-type: none"> ◆54-C2 (Diaphragm-Type Valves)-NUMBER: 1580-隔膜阀 ◆02-11 (Centrifugal and Positive Rotary Pumps) NUMBER: 1579-高洁净泵 ◆85-03 (Double-Seat Mixproof Valves) NUMBER: 1787-双座防混阀 ◆64-00 (Pressure Reducing and Back Pressure Regulating Valves) NUMBER: 1784-恒压阀&调节阀 ◆53-06 (Compression-Type Valves)-NUMBER: 1782-单座阀(换向阀) ◆68-00 (Ball-Type Valves) NUMBER: 1785-球阀 ◆55-02 (Boot Seal-Type Valves) NUMBER: 1783-无菌取样阀 ◆64-02 (Personnel Access Ports for Wet Applications) NUMBER: 1786-人孔 ◆63-03 (Sanitary Fittings) NUMBER: 1581-卫生管件
	<p>PED/97/23/EC&MD/06/42/EC</p> <p>由德国TÜV机构实施的欧洲承压设备安全指令 (PED-97/23/EC)，机械安全指令MD-06/42/EC。 EU Pressure Equipment Safety Directive (PED-97/23/EC), Machinery Safety Directive MD-06/42/EC, implemented by TÜV, Germany.</p> <ul style="list-style-type: none"> ◆MD/06/42/EC NUMBER: 705201402401-00 - LOBE PUMF转子泵 ◆MD/06/42/EC NUMBER: 705201616101-00 - Centrifugal pump 离心泵 ◆PED/97/23/EC NUMBER: DGR - 0036-QS-1153-14-Valves 阀门系列
	<p>安全阀特种制造许可证(TS) Safety valve special manufacturing license</p> <p>东正通过了安全阀特种设备制造许可证，目前是国内首家通过“高洁净安全阀特种制造许可证”的企业(安全附件及安全保护装置)。 ◆其证书编号：TSF 733008-2019 Donjoy has passed the safety valve special equipment manufacturing license. Recently, is the first enterprise in China to pass the "Special Manufacturing License for High Clean Safety Valves" (safety accessories and safety protection devices). ◆Certificate number: TSF 733008-2019</p>
	<p>FDA.177.2600</p> <p>东正制造的高洁净阀门和泵以及液体设备等，与物料接触密封圈全部通过或符合美国食品和药品管理局和联邦法规第21条即，CFR 21 FDA177.2600和FDA177.1550认证，其涵盖：EPDM VITON (FPM) SILICON HNBR 等橡胶和PTFE 塑料材料。 ◆符合美国 3-A-18-03-CLASS - II The seals of Donjoy's high-cleaning valves, pumps and fluid equipment that contact with material, all pass or comply with the US Food and Drug Administration and Federal Regulations issue 21, i.e. CFR 21 FDA177.2600 and FDA177.1550 certification. The seals cover : EPDM, VITON (FPM), SILICON, HNBR and other rubber & PTFE plastic material. ◆Meets US 3-A-18-03-CLASS - II</p>
	<p>ISO-9001-2015</p> <p>东正通过中国质量认证中心CQC.ISO9001-2015/GB/T19001-2015企业质量管理体系认证。 ◆其证书编号：00117Q38464R4M/3302 Donjoy passed the China Quality Certification Center CQC, ISO9001-2015/GB/T19001-2015 enterprise quality management system certification. ◆Its certificate number is 00117Q38464R4M/3302.</p>
	<p>卫生许可证 Hygiene License</p> <p>东正通过了省卫生厅卫生阀门，卫生管件等检验且获得了其颁发的证书。 ◆其批准文号：第0056号 Donjoy passed the inspection of sanitary valves and sanitary fittings of the Provincial Health Department and obtained the certificate issued by it. ◆Its approval number: No. 0056</p>
	<p>国家高新技术企业 National High-Tech Enterprise</p> <p>东正，经过20余年发展和技术研发，2011年被评定为国家高新技术企业。 Donjoy, after more than 20 years of development and technology research & development, was assessed as a national high-tech enterprise in 2011.</p>
	<p>浙江省著名商标 Zhejiang province famous trademark</p> <p>东正，凭借先进的技术、优异的品质和完善的售后服务体系，2012年被浙江省工商局评定为浙江省著名商标。 Donjoy, by virtue of advanced technology, excellent quality and perfect after-sales service system, was recognized as a famous trademark of Zhejiang Province by the Industrial and Commercial Bureau of Zhejiang Province in 2012.</p>

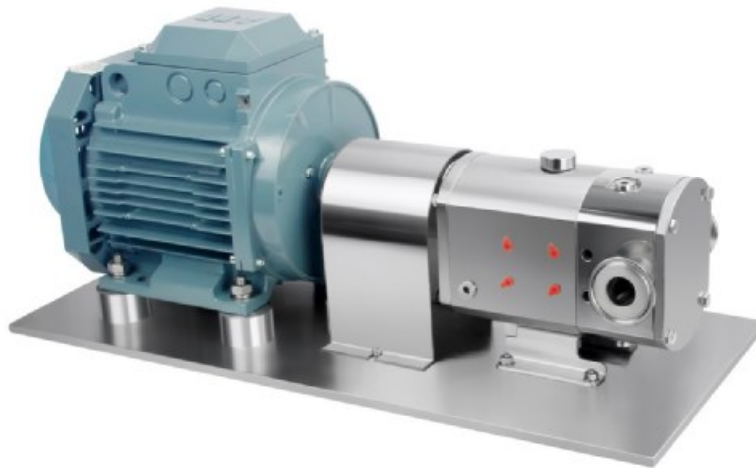
东正不但拥有以上认证和荣誉，且被评定为省科技型、创新型、专利示范、研发中心、重合同守信用等诸多荣誉。并拥有100多项专利技术。

Donjoy not only has the above certification and honors, but also has been evaluated as provincial science and technology type, innovation, patent demonstration, research and development center, contract keeping and other honors. It also owes more than 100 patented technologies.

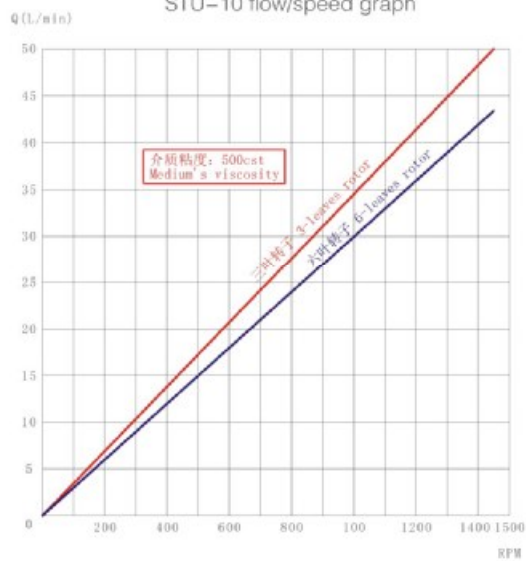
MINI STU-10 转子泵 MINI STU-10 lobe pump

双向可逆、高粘稠、低粘稠、
低脉冲、液体输送的柔性解决方案
Flexible solution for
two-direction reversible, high
viscosity, low viscosity, low pulse,
liquid transportation

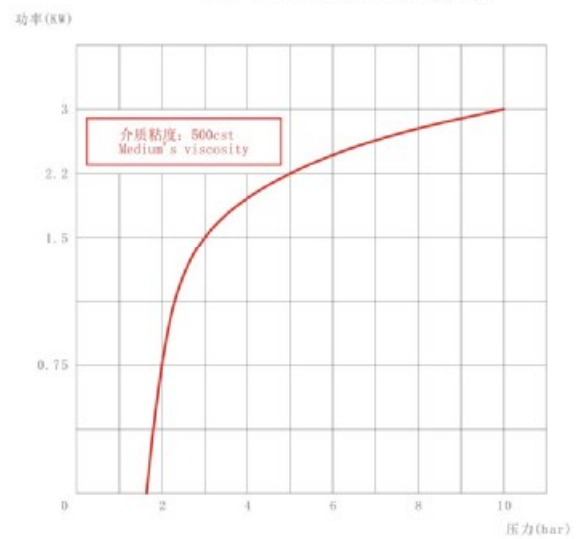




STU-10 流量/转速曲线图
STU-10 flow/speed graph



STU-10 压力/功率曲线图
STU-10 pressure/power graph



技术参数 Technical Specifications

流量 Max flow	3000L/h
压力 Max pressure	12bar
转速范围 Speed range	10-1450 R.P.M
工作温度 Working temperature	-40°C to 150°C
表面处理 Surface treatment	Ra ≤ 0.6 μm; EP=Ra0.4 μm
材质 Material	100%不锈钢, 介质接触部分316L。100% stainless steel, parts contacting medium 316L
认证 Certification	3-A-02-11 No.1759; FDA 177.2600; CE-MD,06-42 No .705201402401-00

TU 系列转子泵 TU series lobe pump



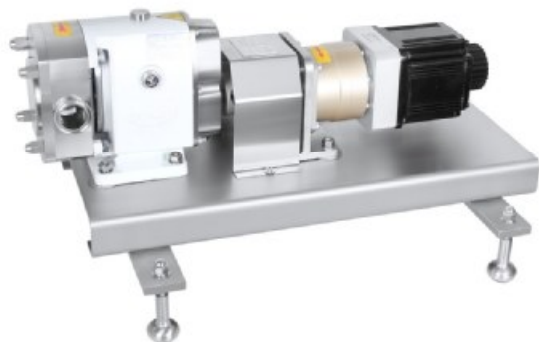
双向可逆、
高压、高低粘稠、固体颗粒
高洁净的解决方案
Solution for two-direction reversible,
high pressure, high and low viscosity,
solid particles
high clean solution



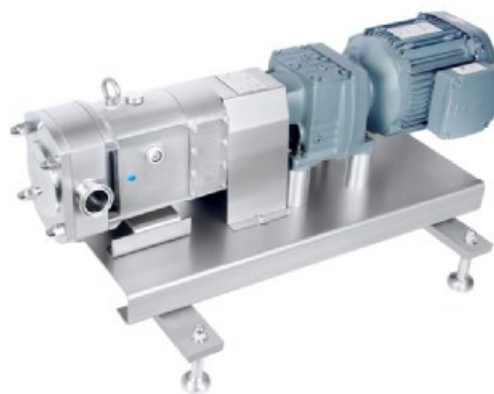
TUR/TUL系列转子泵
TUR/TUL series lobe pump



STUR/TUL系列转子泵 STUR/TUL series lobe pump

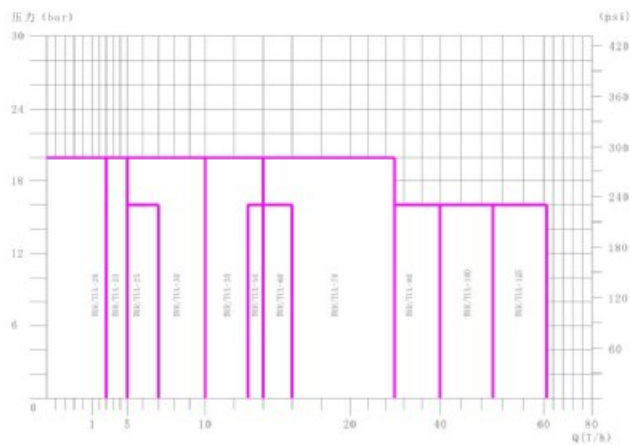


伺服电机配置
Servo motor configuration

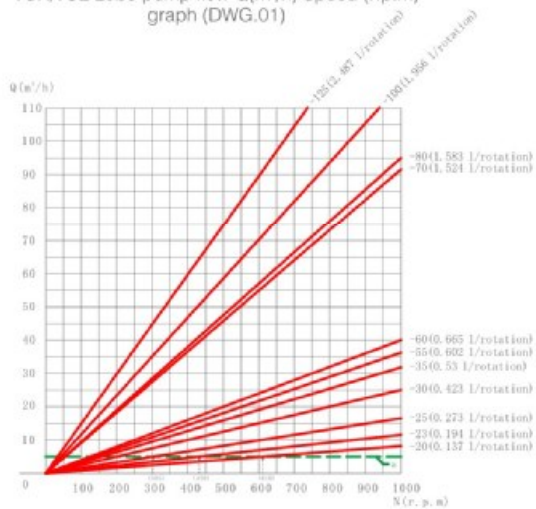


变频电机配置
Variable frequency motor configuration

TUR/TUL 转子泵流量Q(T/h)-压力(bar)曲线图
TUR/TUL lobe pump flow Q(T/h)-pressure (bar) graph



TUR/TUL 转子泵流量Q(m³/h)转速(r.p.m)曲线图(DWG.01)
TUR/TUL Lobe pump flow Q(m³/h) Speed (r.p.m) graph (DWG.01)



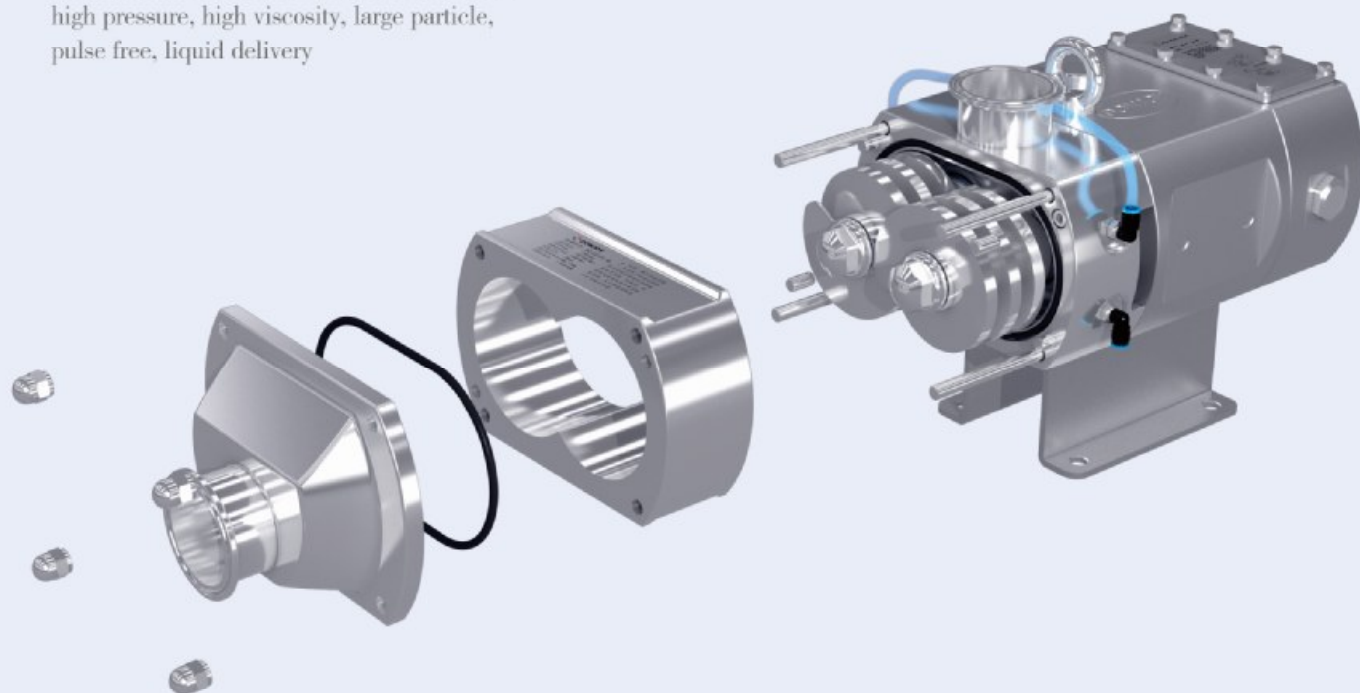
技术参数 Technical Specifications

最大流量 Max.flow	90m ³ /h/395 GPM
最高压力 Max.pressure	15bar/220 Psi
最高温度 Max.Temperature	150°C/302oF
最高转速 Max.rev	750 rpm
材质 Material	316L, 1.4404, ASME BPE 316L, 1.4435 NB2 Fe ≤ 0.5%
表面处理 Surface treatment	≤ Ra0.8 μm, ≤ Ra0.6 μm, ≤ Ra0.4 μm
认证 Certification	3-A-02-11 No.1759; FDA 177.2600; CE-MD/06-42 No.705201402401-00

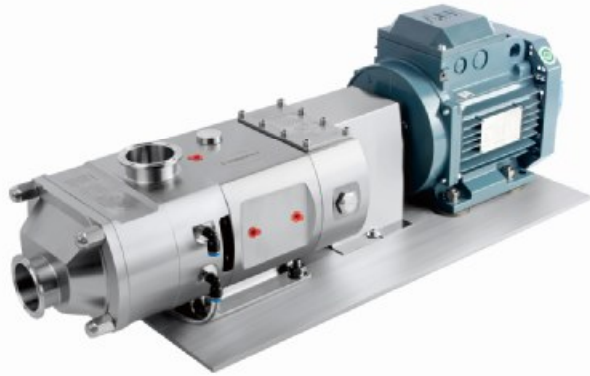
LG 系列双螺杆泵

LG series twin screw pump

双向可逆、高压、高低粘稠、
大颗粒、无脉冲、液体输送的柔性解决方案
Flexible solution for two-direction reversible,
high pressure, high viscosity, large particle,
pulse free, liquid delivery

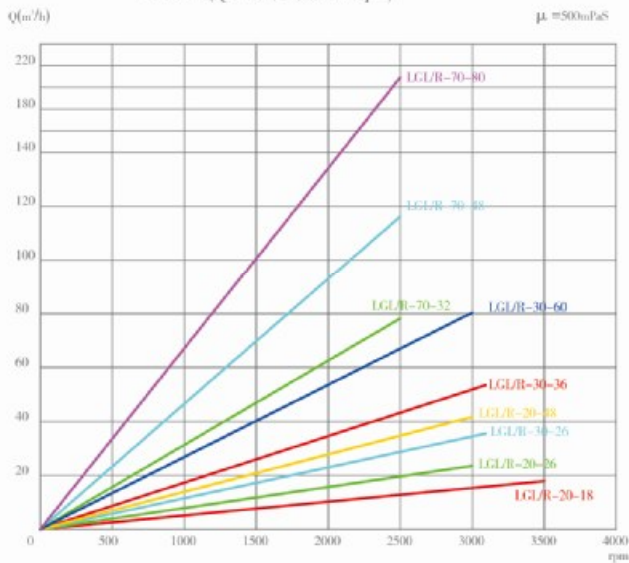


型号 Model	螺杆间距 Screw spacing (mm)	每转排量(L/r) Flow per rotation	最大流量 Max flow (L/m)	最大流量 Max flow (m ³ /h)	最高转速 (rpm) Max speed (minutes)	最大固体 Max solid (mm)	最大压力 Max pressure (bar)	泵头进口 Pump head port (inlet)	泵体出口 Body port (outlet)	重量 Net weight (kg)
LG-L/R-20-18	18	0.09	324	19.4	3600	8.5	20	1.5"-2"	1"-1.5"	29.9
LG-L/R-20-26	26	0.13	468	28.1	3600	12.5	20			
LG-L/R-20-48	48	0.22	638	38.3	2900	23.5	15			
LG-L/R-30-26	26	0.20	580	34.8	2900	12.5	20	2.5"-3"	2"-3"	58.7
LG-L/R-30-36	36	0.29	841	50.5	2900	17.5	20			
LG-L/R-30-60	60	0.46	1334	80.0	2900	29.5	15			
LG-L/R-70-32	32	0.53	1537	92.2	2900	15.5	20	3"-4"	3"-4"	154.7
LG-L/R-70-48	48	0.79	2291	137.5	2900	23.5	20			
LG-L/R-70-80	80	1.40	4060	243.6	2900	39.5	12			

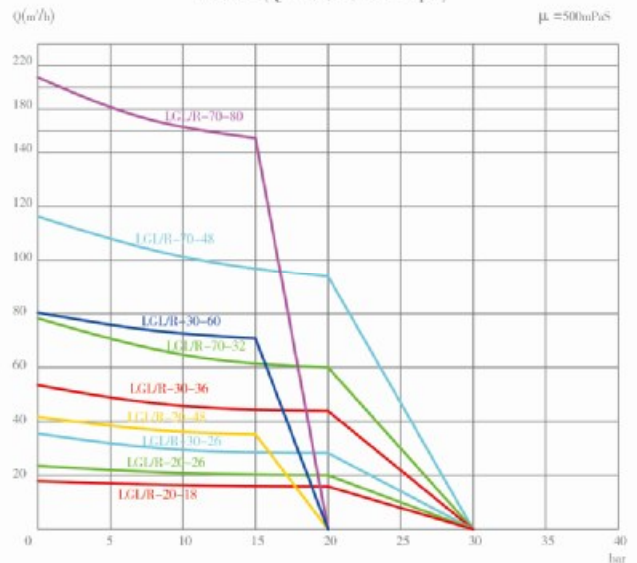


LG 螺杆泵曲线图 LG screw pump graph

LGL/R(Q-R曲线图/Graph)



LGL/R(Q-R曲线图/Graph)



技术参数 Technical Specifications

最大流量 Max flow	180m ³ /h
最大颗粒 Max particles	39mm
最高压力 Max pressure	20bar
转速范围 Speed range	10-3500 R.P.M
工作温度 Working temperature	-40℃ to 150℃
表面处理 Surface treatment	Ra ≤ 0.6 μm; EP=Ra0.4 μm
材质 Material	100% 不锈钢, 介质接触部分 316L 100% stainless steel, parts contacting with medium 316L
认证 Certification	3-A-02-11 No.1759; FDA 177.2600; CE-MD/06-42 No.705201402401-00

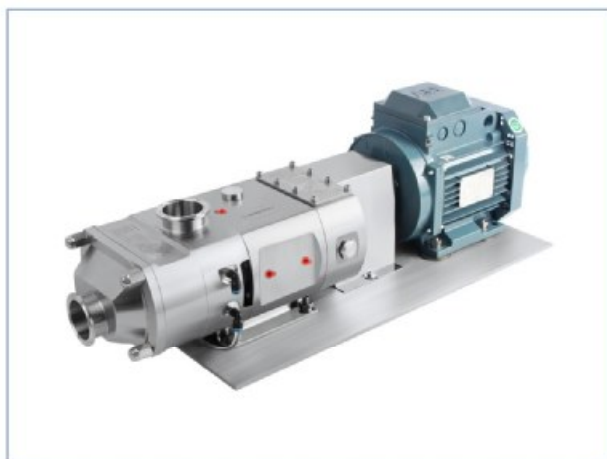
非常丰富而灵活的组合 Very rich and flexible combination



变频电机斜齿轮螺杆泵 Variable frequency motor helical gear screw pump

配置了斜齿轮变速箱和变频电机，该配置可根据用户个性化需要，设定、编辑变频器，也可通过PLC编程实现自动控制。

The pump is equipped with helical gear gearbox and frequency variable motor. According to the user's individual needs, can set and edit the inverter, can also be automatically controlled by PLC programming.



电机直连式螺杆泵(推荐配置) Motor Direct-connected Screw Pump (recommended configuration)

配置了电机直连式，是指电机未通过减速机或其他的中间装配间接连接泵，而是直接连接到螺杆泵，该配置可根据用户个性化需要，设定、编辑变频器，也可通过PLC编程实现自动控制。

The motor is directly connected, which means that the motor is not connected to the pump through the reducer or other intermediate assembly, but is directly connected to the screw pump. This configuration can set and edit the inverter according to the user's individual needs. PLC programming implements automatic control.



全防护螺杆泵 Full Protection Screw Pump

全防护罩可减少因泵驱动装置不规则的卫生死角同时保护电机和保护人身安全。

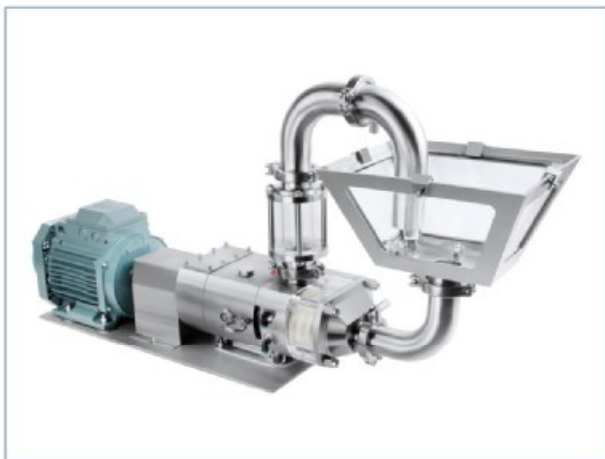
Pump with whole protecting cover can reduce dead angle due to irregular pump driving device. Protecting cover can also protect motor and personal safety.



物料混合接口螺杆泵 Material Mixing Interface Screw Pump

该配置前端装了专用物料混合接口，该装置非常的简单方便，既可以安装在前盖，也可以安装上泵体上。

The front end of the configuration is equipped with a dedicated material mixing interface. The device is very simple and convenient, and can be installed either on the front cover or on the pump body.



法兰料斗螺杆泵 Flanged Hopper Screw Pump

该泵设计有方形法兰料斗和圆形法兰料斗两种，配置有料斗的和螺杆泵，该装配主要用来加入粉体、颗粒、固体等各种加料所需功能。

The pump is designed with a square flange hopper and a circular flange hopper. It is equipped with a hopper and a screw pump. The assembly is mainly used to add functions such as powder, granules and solids.

典型的产品应用 Typical product application



食品与饮品 Food And Drink

汤、炖肉、番茄酱、蔬菜、调味品、巧克力、脂肪和油、奶油馅料、啤酒厂、麦芽汁、软/果汁饮料、肉类加工。

Soup, stew, ketchup, vegetables, condiments, chocolate, fat and oil, cream filling, breweries, wort, brewery, wort, soft drink/fruit juice.



乳业 Dairy

奶油、牛奶、奶酪凝乳和乳清、干酪、酸奶、Cream, milk, cheese curd and whey, cottage cheese, yogurt.



医药/化妆品 Medicine/Cosmetic

药膏、糖浆、提取物、浆液、面霜和乳液、头发定型凝胶和液体、染料和醇类、肥皂、化妆品。

Ointment, syrup, extract, serum, face creams & lotions, hair styling gels & liquids, dyes and alcohols, soap, cosmetics.



化工/工业 Chemical/Industrial

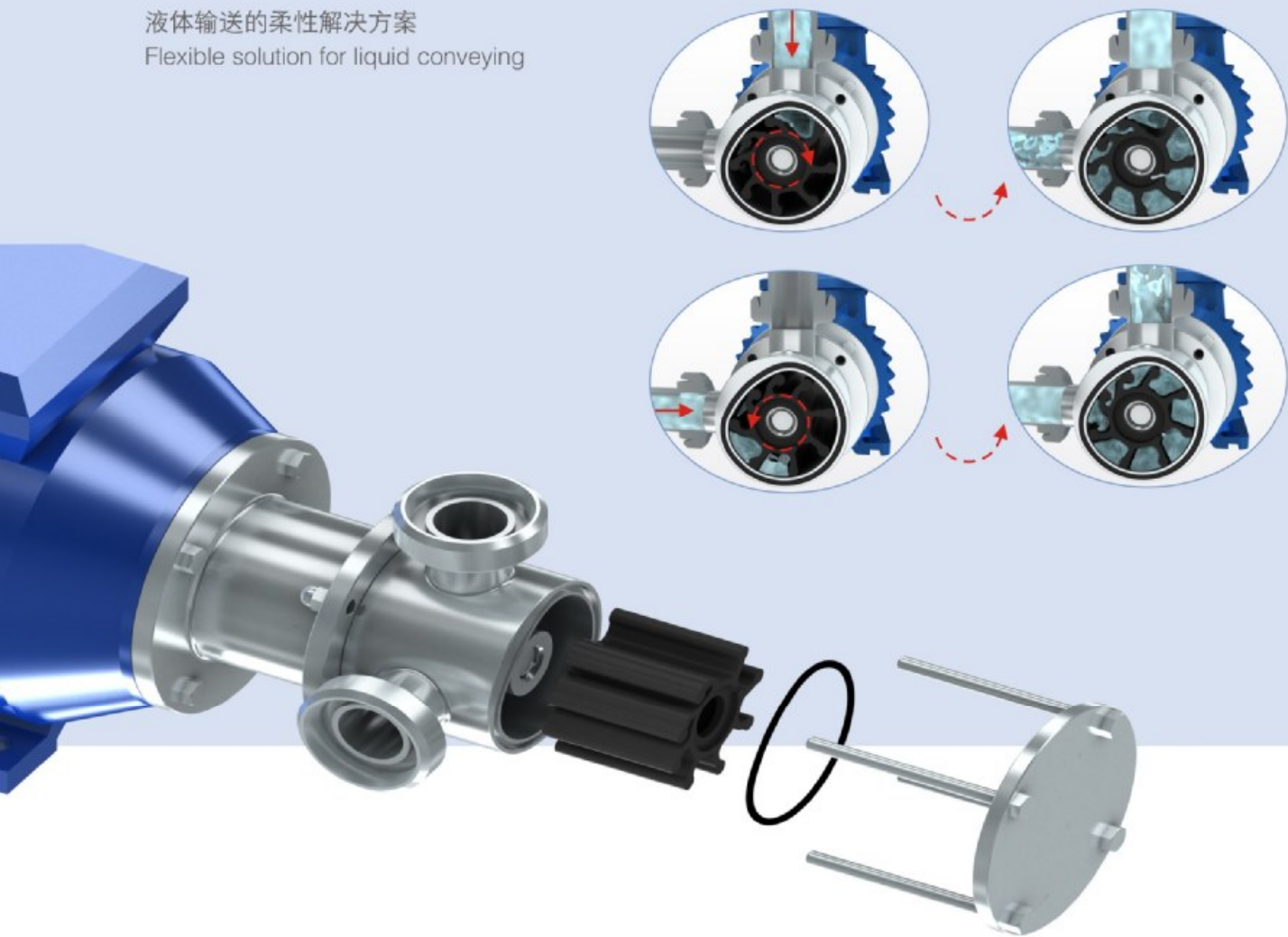
溶剂、油漆、燃料、树脂、聚合物和淤泥、石油和润滑油。

Solvents, paints, fuels, resins, polymers & sludges, oil & lubricants.

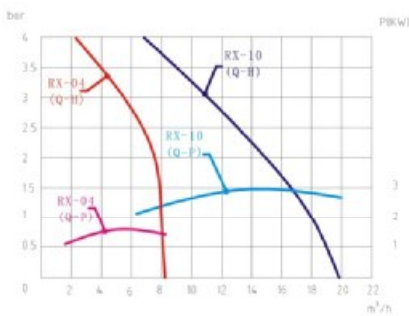
RX 系列柔性叶轮泵

RX series flexible impeller pump

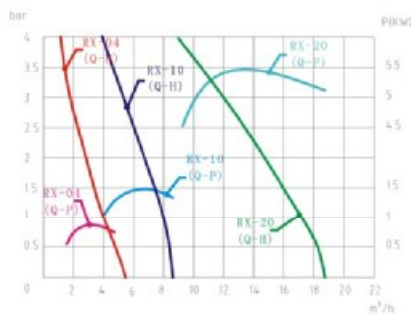
液体输送的柔性解决方案
Flexible solution for liquid conveying



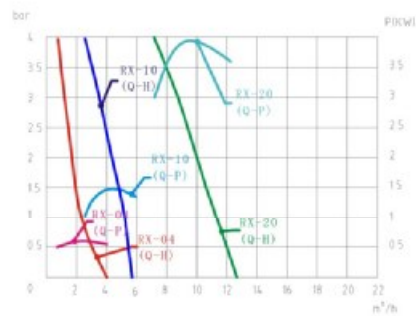
RX 柔性泵(带2P电机性能曲线图/Graph)
RX Flexible impeller pump

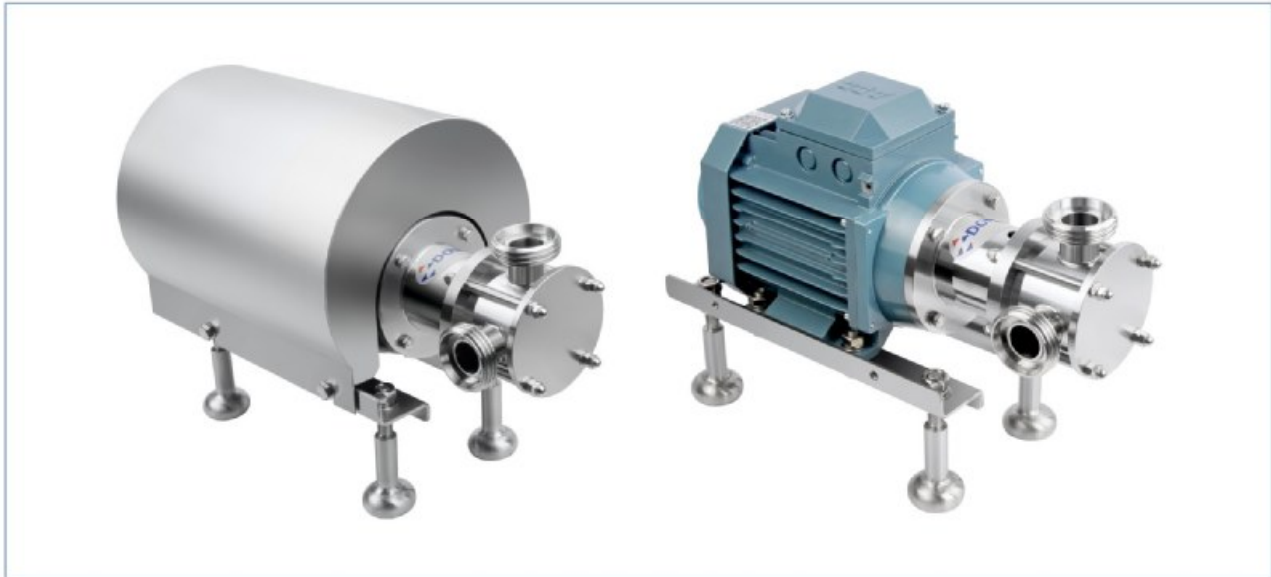


RX 柔性泵(带4P电机性能曲线图/Graph)
RX Flexible impeller pump



RX 柔性泵(带6P电机性能曲线图/Graph)
RX Flexible impeller pump





出色的自吸特性

柔性叶片泵(RX)操作简单,是具有出色自吸性能的容积泵,其自吸能力可达到5米。

应用范围广

Rx泵结构,输送粘性的产品时效率几乎达到抽水的效果,因而其用途非常广泛。

非常温和的泵送处理

那抽取敏感的产品如何呢?RX的抽吸处理非常平稳柔和,决不会搅打和损伤产品,即使像高脂肪乳脂那样脆弱的产品。大的浆果,即使有半个桃子大小都可以毫无操作地通过泵,而且DONJOY的RX泵可保证运行完全无脉动。通过调节泵的转速,它还可以用作定量配料泵。

Excellent self-priming characteristics

The flexible impeller pump (RX) is simple to operate. It is a volumetric pump with excellent self-priming performance, can reach 5 meters.

Wide application range

The RX pump, efficiency of conveying viscous liquid is close to drawing water, so the application range is wide.

Very gentle pumping

How about function for extracting sensitive medium? Rx's suction function is very smooth and gentle, and does not scrap or damage products, even the medium is as fragile as high-fat cream. Large berries, even half the size of a peach, can pass through the pump undamaged, and DONJOY's RX pump is guaranteed to run completely without pulsation. By adjusting the pump speed, it can also be used as a dosing pump.

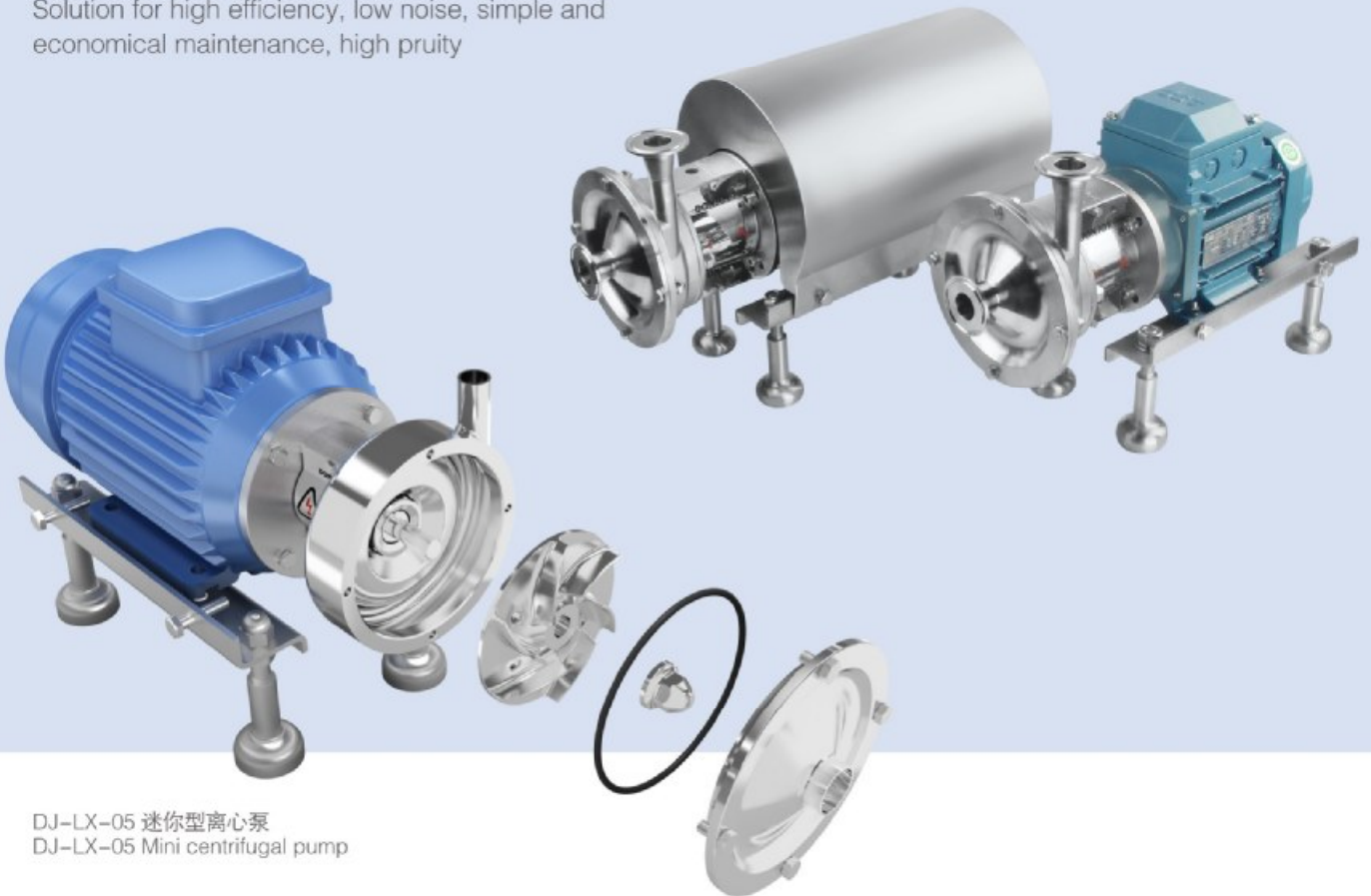
技术参数 Technical Specifications

最大流量 Max flow	20m ³ /h
最大压力 Max pressure	4 bar
最大吸程 Max suction	6 M
最高温度 Max Temperature	80°C
转速 Rotating speed	950RPM~2900RPM
材质 Material	316L/1.4404
表面处理 Surface treatment	Ra≤0.6 μ m; EP=Ra0.4 μ m
认证 Certification	3-A-02-11 No.1759; FDA 177.2600; CE-MD,06-42 No.705201616101-00

DJ-LX 系列离心泵

DJ-LX series centrifugal pump

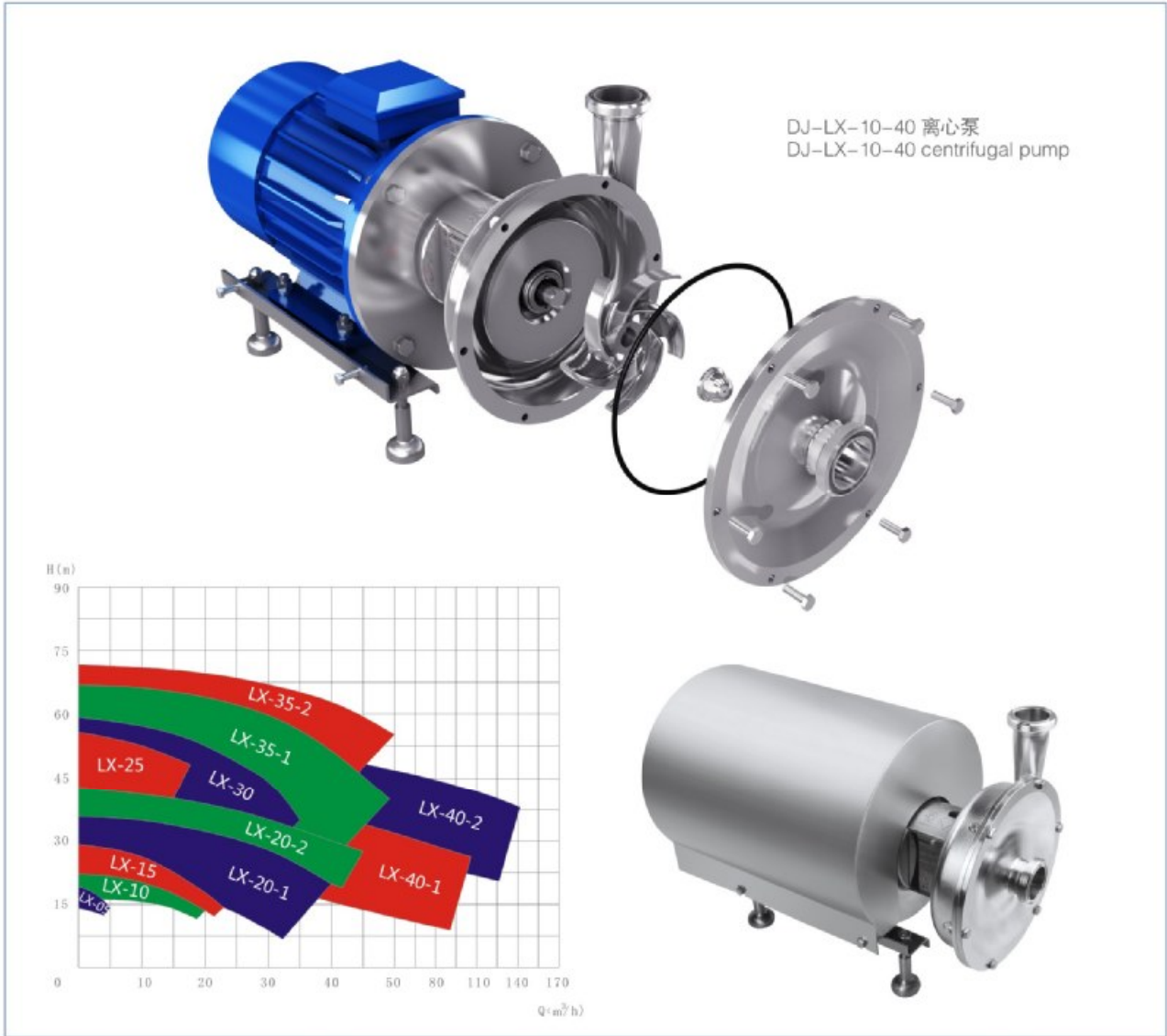
高效率、低噪音、
维护简单经济、高洁净的解决方案
Solution for high efficiency, low noise, simple and
economical maintenance, high pruity



DJ-LX-05 迷你型离心泵
DJ-LX-05 Mini centrifugal pump

DONJOY DJ-LX 系列离心泵不仅优化了内部结构、叶轮设计、死角处理、机封压力平衡设计且机封完全被处在冲洗区域。我们还对泵外部卫生也进行了优化，使其内部绝对卫生、外部减少死角，由于没有死角区域，它非常容易被CIP清洗、SIP杀菌等。另外我们对DJ-LX 系列泵保持了最大的灵活性组合应用，如，泵出口角度可以从 0° - 135° 之间任意调整，泵盖采用手轮螺母，这样对泵维护和保养及机封的更换，保持了高效，降低了人员高度专业性的要求，而完成这些无需特殊的工具。因而达到了、高效、卫生、高可靠性及低成本的目的，使DJ-LX 系列离心泵成为一款高性能的泵。

Donjoy DJ-LX series centrifugal pump ,not only optimize the internal structure, such as impeller design, dead angle treatment, mechanical seal is designed as pressure balance and completely in flushing area, but also optimize external sanitation of the pump , which make internal absolute sanitation and reduce external dead angle. Since there is no dead angle area, it is easy to be cleaned by CIP and sterilized by SIP. In addition, DJ - LX series pump, has kept the maximum flexibility of combined applications, for example, the pump outlet angle can be arbitrarily adjusted from 0° to 135° , the pump cover adopts hand wheel nut, which keeps high efficiency in the maintenance of the pump and replacement of mechanical seal without special tool, and reduces the highly professional requirements to maintenance personnel. Therefore, the DJ-LX series centrifugal pump has achieved the goal of high efficiency, hygiene, high reliability and low cost, making it a high performance pump.

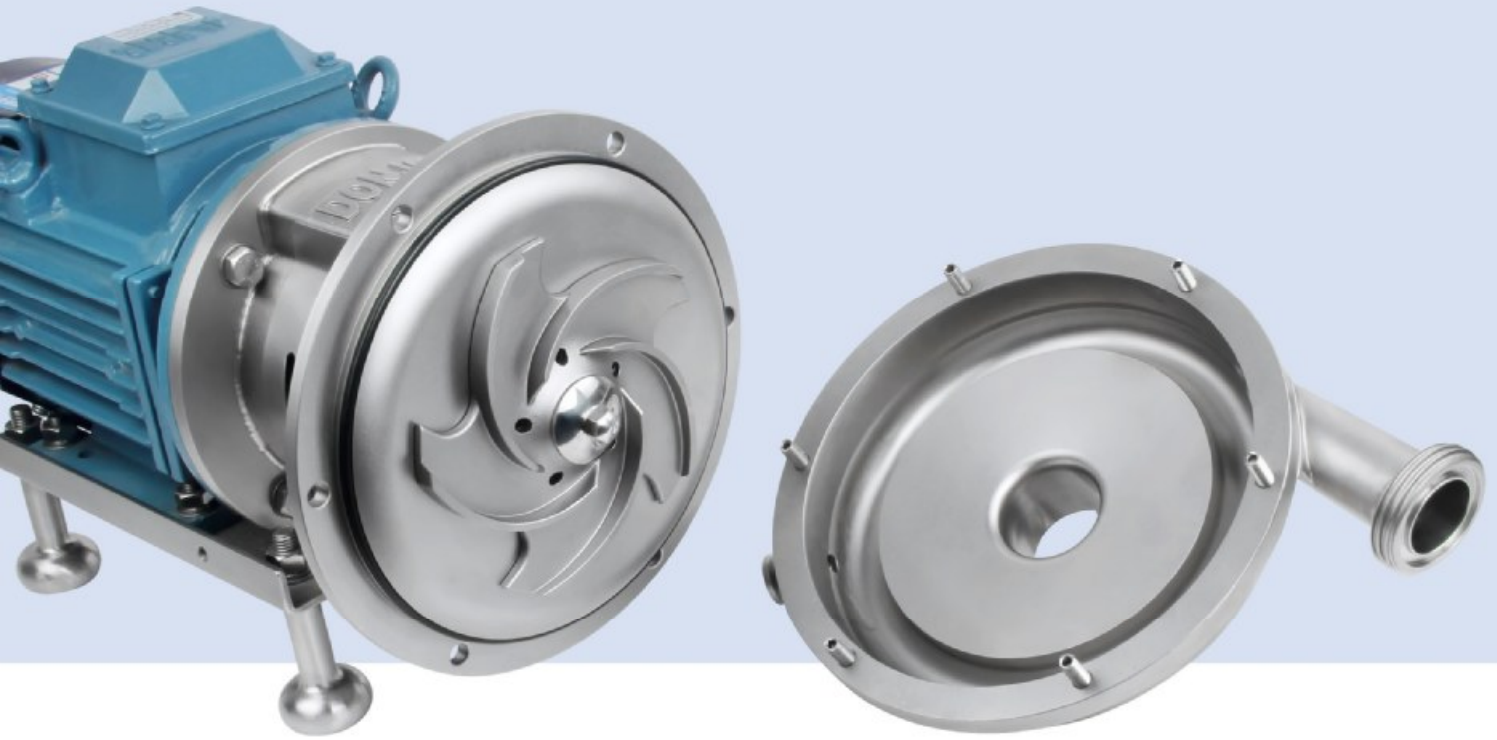


技术参数 Technical Specifications

流量 Flow	0.5m ³ /h-120m ³ /h
扬程 Head	70 H/M
温度 Temperature	-20°C到140°C From -20°C to 140°C
功率 Power	0.3KW-30KW
材质 Material	304 /316L, 1.4301/1.4404, ASME BPE 316L, 1.4435 BN2 Fe≤0.5%
表面处理 Surface treatment	≤ Ra0.8 μm, ≤ Ra0.6 μm, EP≤ Ra0.4 μm
机封 Mechanical seal	单机封、双机封, 详见配置单 Single mechanical seal, double mechanical seal, details see configuration table
进/出口连接 Inlet/Outlet Connection	螺纹、卡箍、法兰、无菌法兰 Thread, Clamp, Flange, Aseptic flange
认证 Certification	3-A-Q2-10(N.O.1579); MD/06/42-EC(N.O.70521616101-00); FDA 177.2600; USP CLASS-II; EG/VO1935/2004

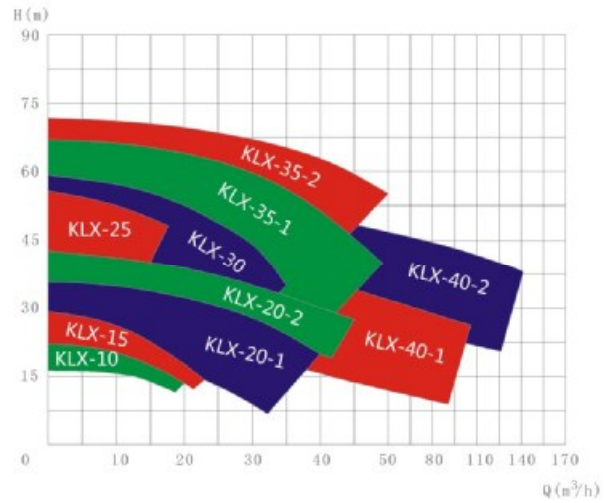
DJ-KLX 系列离心泵 DJ-KLX series centrifugal pump

高效率、低噪音、
维护简单经济、高洁净的解决方案
Solution for high efficiency, low noise, simple and
economical maintenance, high purity



DONJOY DJ-KLX 系列离心泵不仅优化了内部结构、叶轮设计、死角处理、机封压力平衡设计且机封完全被处在冲洗区域。我们还对泵外部卫生也进行了优化，使其内部绝对卫生、外部减少死角，由于没有死角区域，它非常容易被CIP清洗、SIP杀菌等。另外我们对DJ-KLX 系列泵保持了最大的灵活性组合应用，如，泵出口角度可以从 0° - 135° 之间任意调整，各种进出口连接方式，低排放接口等各种功能配置，因而达到了、高效、卫生、高可靠性及低成本的目的，使DJ-KLX 系列离心泵成为一款高性能的泵。

Donjoy DJ-KLX series Centrifugal pump ,not only optimize the internal structure, such as impeller design, dead angle treatment, machine seal is designed as pressure balance and completely in flushing area, but also optimize external sanitation of the pump , which makes internal absolute sanitation and reduce external dead angle. Since there is no dead Angle area, it is easy to be cleaned by CIP and sterilized by SIP. In addition, DJ - KLX series pump, has kept the maximum flexibility of combined applications, for example, the pump outlet angle can be arbitrarily adjusted from 0° to 135° . Various inlet / outlet connection methods, low-emission interfaces, etc. Therefore, the DJ-KLX series centrifugal pump has achieved the goal of high efficiency, hygiene, high reliability and low cost, making it a high performance pump.

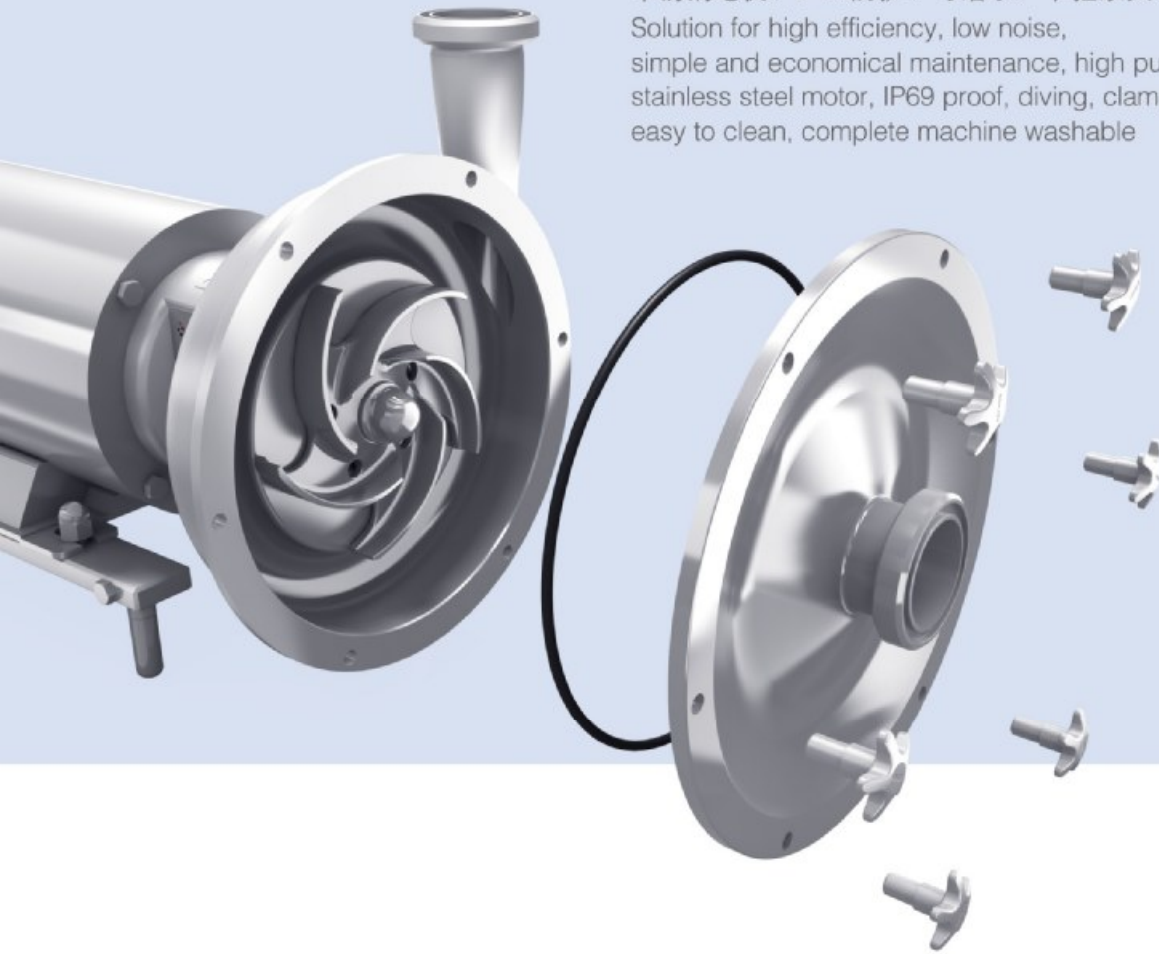


技术参数 Technical Specifications

流量 Flow	1m³/h-120m³/h
扬程 Head	70H/M
温度 Temperature	-20°C到140°C From -20°C to 140°C
功率 Power	0.3KW-30KW
材质 Material	304 /316L, 1.431/1.4404, ASME BPE 316L, 1.4435 NB2 Fe≤0.5%
表面处理 Surface treatment	≤ Ra0.8 μm, ≤ Ra0.6 μm, ≤ Ra0.4 μm
机封 Mechanical seal	单机封、双机封, 详见配置单 Single mechanical seal, double mechanical seal, details see configuration table
进/出口连接 Inlet/Outlet connection	螺纹、卡箍、法兰、无菌法兰 Thread, clamp, flange, Aseptic flange
认证 Certification	3-A-02-10(N.O.1579); MD/06/42-EC (N.O.70521616101-00); FDA 177.2600; USP CLASS-II; EG/VO1935/2004

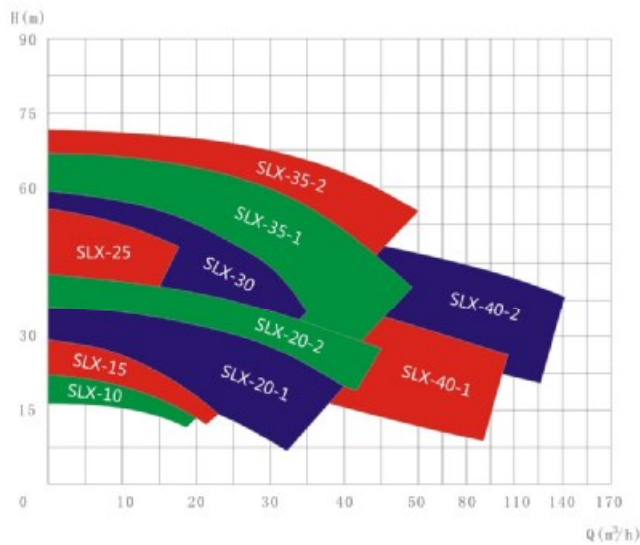
DJ-SLX 系列离心泵 DJ-SLX series centrifugal pump

高效率、低噪音、维护简单经济、高洁净的解决方案
不锈钢电机、IP69防护、可潜水、卡箍泵头、易清洁、整机可冲洗
Solution for high efficiency, low noise,
simple and economical maintenance, high purity.
stainless steel motor, IP69 proof, diving, clamp pump head,
easy to clean, complete machine washable



DONJOY DJ-SLX 系列是一款全不锈钢设计的离心泵，包含电机也是不锈钢，它不仅优化了内部结构、叶轮设计、死角处理、机封压力平衡设计且机封完全被处在冲洗区域。我们还对泵外部卫生也进行了优化，使其内部绝对卫生、外部减少死角，由于没有死角区域，它非常容易被CIP清洗、SIP杀菌等。另外我们对DJ-SLX 系列泵保持了最大的灵活性组合应用，如，泵出口角度可以从 0° - 135° 之间任意调整，泵盖采用手轮螺母，这样对泵维护和保养及机封的更换，保持了高效，降低了人员高度专业性的要求，而这些无需特殊的工具。因而达到了、高效、卫生、高可靠性及低成本的目的，使DJ-SLX 系列离心泵成为一款高性能的泵。

Donjoy DJ-SLX series centrifugal pump is designed in whole SS, including motor, not only optimize the internal structure, such as impeller design, dead angle treatment, mechanical seal is designed as pressure balance and completely in flushing area, but also optimize external sanitation of the pump, which makes internal absolute sanitation and reduce external dead angle. Since there is no dead angle area, it is easy to be cleaned by CIP and sterilized by SIP. In addition, DJ - SLX series pump, has kept the maximum flexibility of combined applications, for example, the pump outlet angle can be arbitrarily adjusted from 0° to 135° , the pump cover adopts hand wheel nut, which keeps high efficiency in the maintenance of the pump and replacement of mechanical seal without special tool, and reduces the highly professional requirements to maintenance personnel. Therefore, the DJ-SLX series centrifugal pump has achieved the goal of high efficiency, hygiene, high reliability and low cost, making it a high performance pump.



测试条件：
 介质清水，温度20℃，叶轮转速2900 R.P.M
 (此曲线图亦适用电机60Hz，叶轮转速3600R.P.M)
 Q-流量(m³/h)，H-扬程(M)，P-功率(KW)，0%-泵效率。

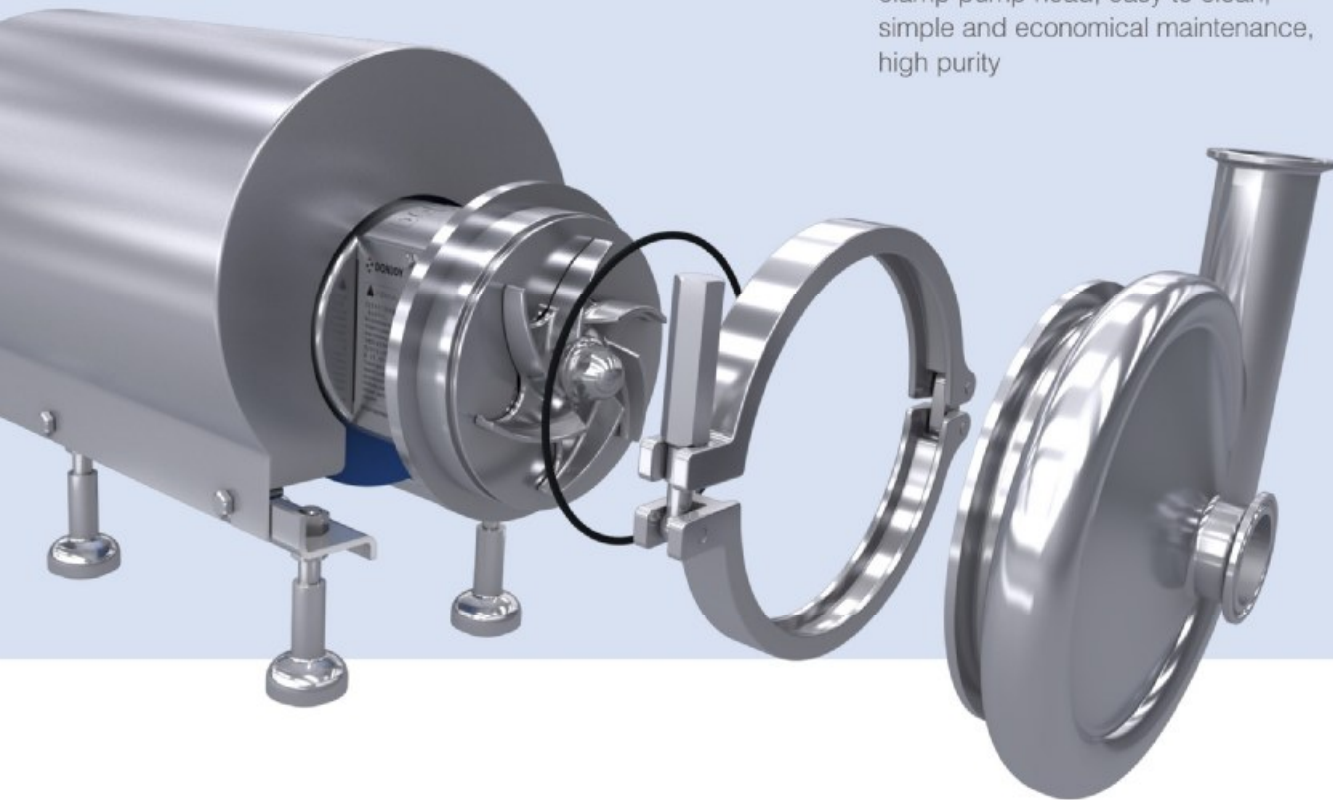
Testing condition:
 medium water, temperature 20 °C, impeller
 speed 2900 RPM (This graph also applies to motor 60HZ,
 impeller speed 3600RPM) Q-Flow rate (m³/h),
 H-head(meter), P-power (KW), 0% pump efficiency

技术参数 Technical Specifications

流量 Flow	1m³/h-120m³/h
扬程 Head	70H/M
温度 Temperature	-20℃到140℃ From -20℃ to 140℃
功率 Power	0.3KW-30KW
材质 Material	304 /316L, 1.4301/1.4404, ASME BPE 316L, 1.4435 BN2 Fe≤0.5%
表面处理 Surface treatment	≤ Ra0.8 μm, ≤ Ra0.6 μm, ≤ Ra0.4 μm
机封 Mechanical seal	单机封、双机封，详见配置单 Single mechanical seal, double mechanical seal, details see configuration table
进/出口连接 Inlet/Outlet connection	螺纹、卡箍、法兰、无菌法兰，Thread, Clamp, Flange, Aseptic flange
认证 Certification	3-A-Q2-10(N.O.1579); MD/06/42-EC (N.O.70521616101-00); FDA 177.2600; USP CLASS-II; EG/VO1935/2004

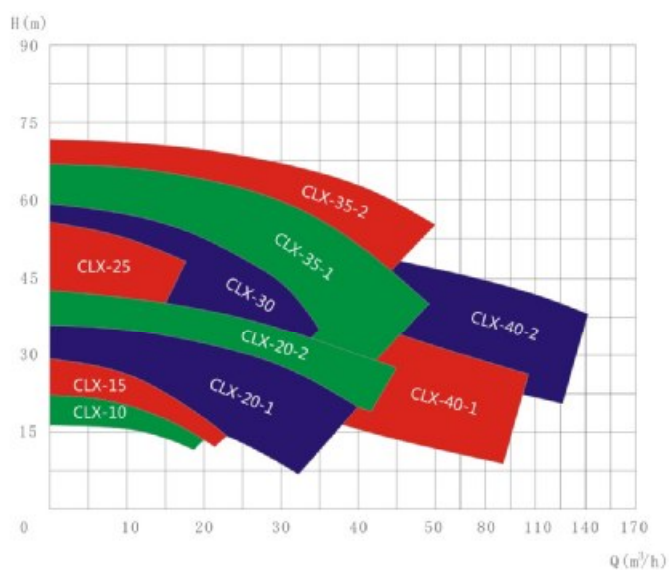
DJ-CLX 系列离心泵 DJ-CLX series centrifugal pump

高效率、低噪音、
卡箍泵头、易清洁、
维护简单经济、高洁净的解决方案
Solution for high efficiency, low noise,
clamp pump head, easy to clean,
simple and economical maintenance,
high purity



DONJOY DJ-CLX 系列离心泵不仅优化了内部结构、叶轮设计、死角处理、机封压力平衡设计且机封完全被处在冲洗区域。我们还对泵外部卫生也进行了优化，使其内部绝对卫生、外部减少死角，由于没有死角区域，它非常容易被CIP清洗、SIP杀菌等。另外我们对DJ-CLX 系列泵保持了最大的灵活性组合应用，如，泵出口角度可以从 0° - 360° 之间任意调整，泵盖采用卡箍式连接，这样对泵维护和保养及机封的更换，保持了高效，降低了人员高度专业性的要求，而完成这些无需特殊的工具。因而达到了、高效、卫生、高可靠性及低成本的目的，使DJ-CLX 系列离心泵成为一款高性能的泵。

Donjoy DJ-CLX series centrifugal pump, not only optimize the internal structure, such as impeller design, dead angle treatment, mechanical seal is designed as pressure balance and completely in flushing area, but also optimize external sanitation of the pump, which makes internal absolute sanitation and reduce external dead angle. Since there is no dead angle area, it is easy to be cleaned by CIP and sterilized by SIP. In addition, DJ - CLX series pump, has kept the maximum flexibility of combined applications, for example, the pump outlet angle can be arbitrarily adjusted from 0° to 360° , the Pump cover is connected by a clamp., which keeps high efficiency in the maintenance of the pump and replacement of machine seal, and reduces the highly professional requirements to maintenance personnel without special tools. Therefore, the DJ-CLX series centrifugal pump has achieved the goal of high efficiency, hygiene, high reliability and low cost, making it a high performance pump.



测试条件:
 介质清水, 温度20℃, 叶轮转速2900 R.P.M
 (此曲线图亦适用电机60Hz, 叶轮转速3600R.P.M)
 Q-流量(m³/H), H-扬程(M), P-功率(KW), 0%-泵效率。

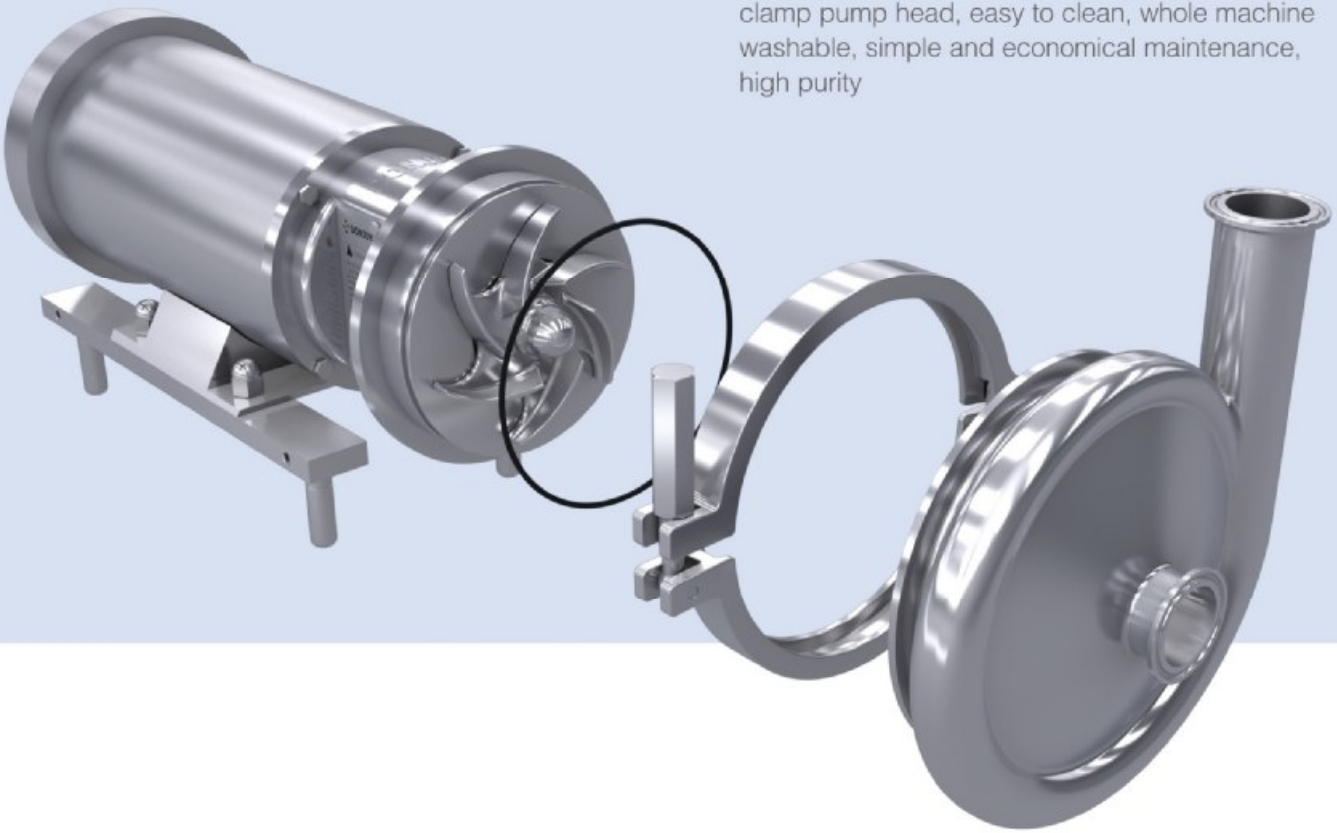
Testing condition:
 medium water, temperature 20 °C, impeller speed 2900 RPM (This graph also applies to motor 60HZ, impeller speed 3600RPM) Q-Flow rate (m³/H), H-head(meter), P-power (KW), 0% pump efficiency

技术参数 Technical Specifications

最大流量 Max flow	120m³/h
扬程 Head	70 H/M
温度 Temperature	-20℃到140℃ From -20℃ to 140℃
功率 Power	1.1KW-30KW
材质 Material	304 /316L, 1.4301/1.4404, ASME BPE 316L, 1.4435 BN2 Fe≤0.5%
表面处理 Surface treatment	≤ Ra0.8 μm, ≤ Ra0.6 μm, ≤ Ra0.4 μm
机封 Mechanical seal	单机封、双机封, 详见配置单 Single mechanical seal, double mechanical seal, details see configuration table
进/出口连接 Inlet/Outlet connection	螺纹、卡箍、法兰、无菌法兰 Thread, Clamp, Flange, Aseptic flange
认证 Certification	3-A-Q2-10(N.O.1579); MD/06/42-EC (N.O.70521616101-00); FDA 177.2600; USP CLASS-II; EG/VO1935/2004

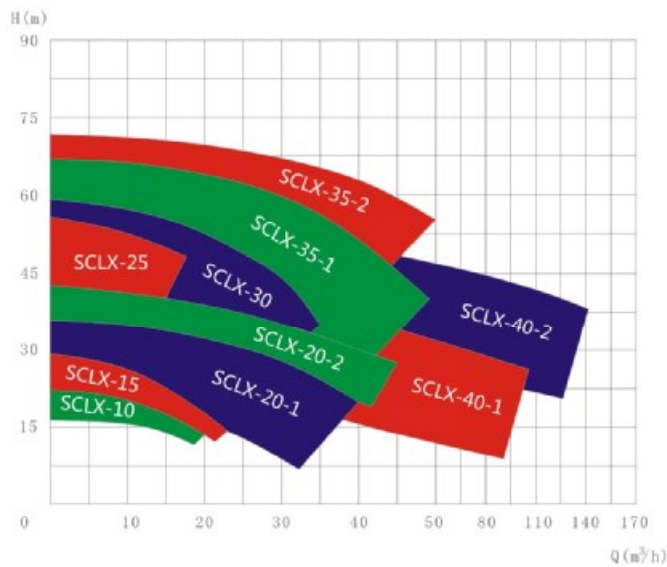
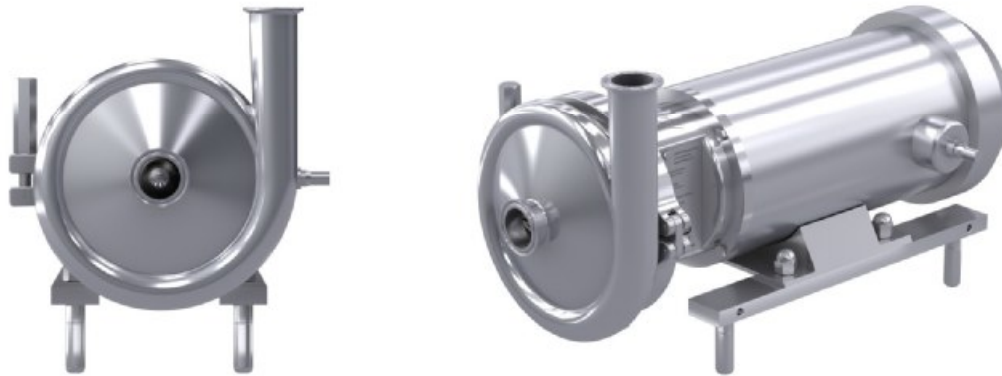
DJ-SCLX 系列离心泵 DJ-SCLX series centrifugal pump

高效率、低噪音、不锈钢电机、
IP69防护、可潜水、卡箍泵头、易清洁、
整机可冲洗、维护简单经济、高洁净的解决方案
Solution for high efficiency, low noise,
stainless steel motor, IP69 proof, diving,
clamp pump head, easy to clean, whole machine
washable, simple and economical maintenance,
high purity



DONJOY DJ-SCLX 系列是一款全不锈钢设计的离心泵，包含电机也是不锈钢，它不仅优化了内部结构、叶轮设计、死角处理、机封压力平衡设计且机封完全被处在冲洗区域。我们还对泵外部卫生也进行了优化，使其内部绝对卫生、外部减少死角，由于没有死角区域，它非常容易被CIP清洗、SIP杀菌等。另外我们对DJ-SCLX 系列泵保持了最大的灵活性组合应用，如，泵出口角度可以从 0° - 360° 之间任意调整，泵盖采用卡箍式连接，这样对泵维护和保养及机封的更换，保持了高效，降低了人员高度专业性的要求，而完成这些无需特殊的工具。因而达到了、高效、卫生、高可靠性及低成本的目的，使DJ-SCLX 系列离心泵成为一款高性能的泵。

DONJOY DJ-SCLX series centrifugal pump is designed in whole SS, including motor, not only optimize the internal structure, such as impeller design, dead angle treatment, mechanical seal is designed as pressure balance and completely in flushing area, but also optimize external sanitation of the pump, which makes internal absolute sanitation and reduce external dead angle. Since there is no dead angle area, it is easy to be cleaned by CIP and sterilized by SIP. In addition, DJ-SCLX series pump, has kept the maximum flexibility of combined applications, for example, the pump outlet angle can be arbitrarily adjusted from 0° to 360° , Pump cover is connected by a clamp, which keeps high efficiency in the maintenance of the pump and replacement of mechanical seal without special tool, and reduces the highly professional requirements to maintenance personnel. Therefore, the DJ-SCLX series centrifugal pump has achieved the goal of high efficiency, hygiene, high reliability and low cost, making it a high performance pump.



测试条件:
 介质清水, 温度20℃, 叶轮转速2900 R.P.M
 (此曲线图亦适用电机60Hz, 叶轮转速3600R.P.M)
 Q-流量(m³/h), H-扬程(M), P-功率(KW), 0%-泵效率。

Testing condition:
 medium water, temperature 20 °C, impeller
 speed 2900 RPM (This graph also applies to motor 60HZ,
 impeller speed 3600RPM) Q-Flow rate (m³/h),
 H-head(meter), P-power (KW), 0% pump efficiency

技术参数 Technical Specifications

最大流量 Max Flow	120m³/h
最高扬程 Max Head	70 H/M
温度 Temperature	-20℃到140℃ From -20℃ to 140℃
功率 Power	0.3KW-30KW
材质 Material	304 /316L, 1.4301/1.4404, ASME BPE 316L, 1.4435 BN2 Fe≤0.5%
表面处理 Surface treatment	≤ Ra0.8 μm, ≤ Ra0.6 μm, ≤ Ra0.4 μm
机封 Mechanical seal	单机封、双机封, 详见配置单 Single mechanical seal, double mechanical seal, details see configuration table
进/出口连接 Inlet/Outlet Connection	螺纹、卡箍、法兰、无菌法兰 Thread, Clamp, Flange, Aseptic flange
认证 Certification	3-A-Q2-10(N.O.1579); MD/06/42-EC (N.O.70521616101-00); FDA 177.2600; USP CLASS-II; EG/WO1935/2004

DJ-BS 系列离心泵 DJ-BS series centrifugal pump

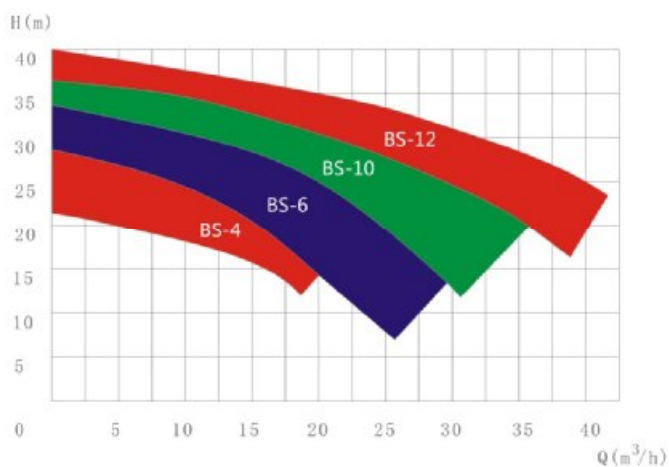
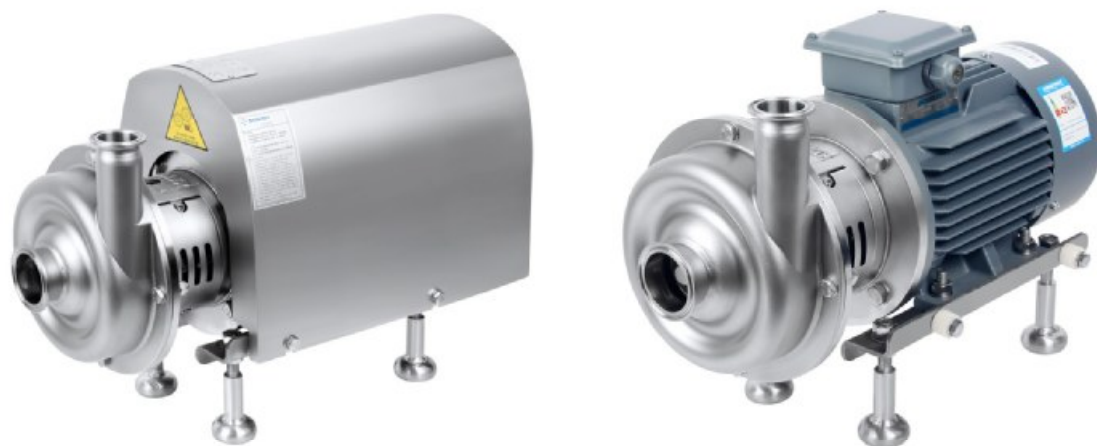


高效率、低噪音、
维护简单经济

Solution for high efficiency, low noise,
simple and economical maintenance,
high purity

DONJOY DJ-BS 系列是一款闭式叶轮离心泵，其内部结构简单、机封压力平衡设计，它适用于各种食品饮料、酿酒、水处理等各种液体输送的工业领域，同时满足CIP清洗、SIP杀菌等。另外我们对DJ-BS 系列泵保持了最大的灵活性组合应用，如，泵出口角度可以从 0° - 135° 之间任意调整，各种不同连接进出口方式，丰富的机封材质组合应用。同时保持了维护保养高效性，降低了人员高度专业性的要求，而完成这些工作无需特殊专用工具。因而达到了、高效、卫生、高可靠性及低成本的目的，使DJ-BS 系列离心泵成为一款高性能低成本泵。

DONJOY DJ-BS series is a closed impeller centrifugal pump with simple internal structure and pressure balance designed mechanical seal. It is suitable for various liquid transportation industries such as food, beverage, brewing and water treatment, meanwhile, meets CIP cleaning, SIP sterilization, etc. In addition, we have maintained the most flexible combination application for DJ-BS series pumps. For example, the pump outlet angle can be adjusted from 0° to 135° , various outlet/inlet connection, and a wide range of mechanical seal materials. At the same time, keeps high efficiency in maintenance, and reduces highly professional requirement to maintenance personnel, and no special tools are required to complete these tasks. Therefore, achieved high efficiency, hygiene, high reliability and low cost, which makes DJ-BS series centrifugal pump a high-performance and low-cost pump.



测试条件:
 介质清水, 温度20℃, 叶轮转速2900 R.P.M
 (此曲线图亦适用电机60Hz, 叶轮转速3600R.P.M)
 Q-流量(m³/h), H-扬程(M), P-功率(KW), 0%-泵效率。

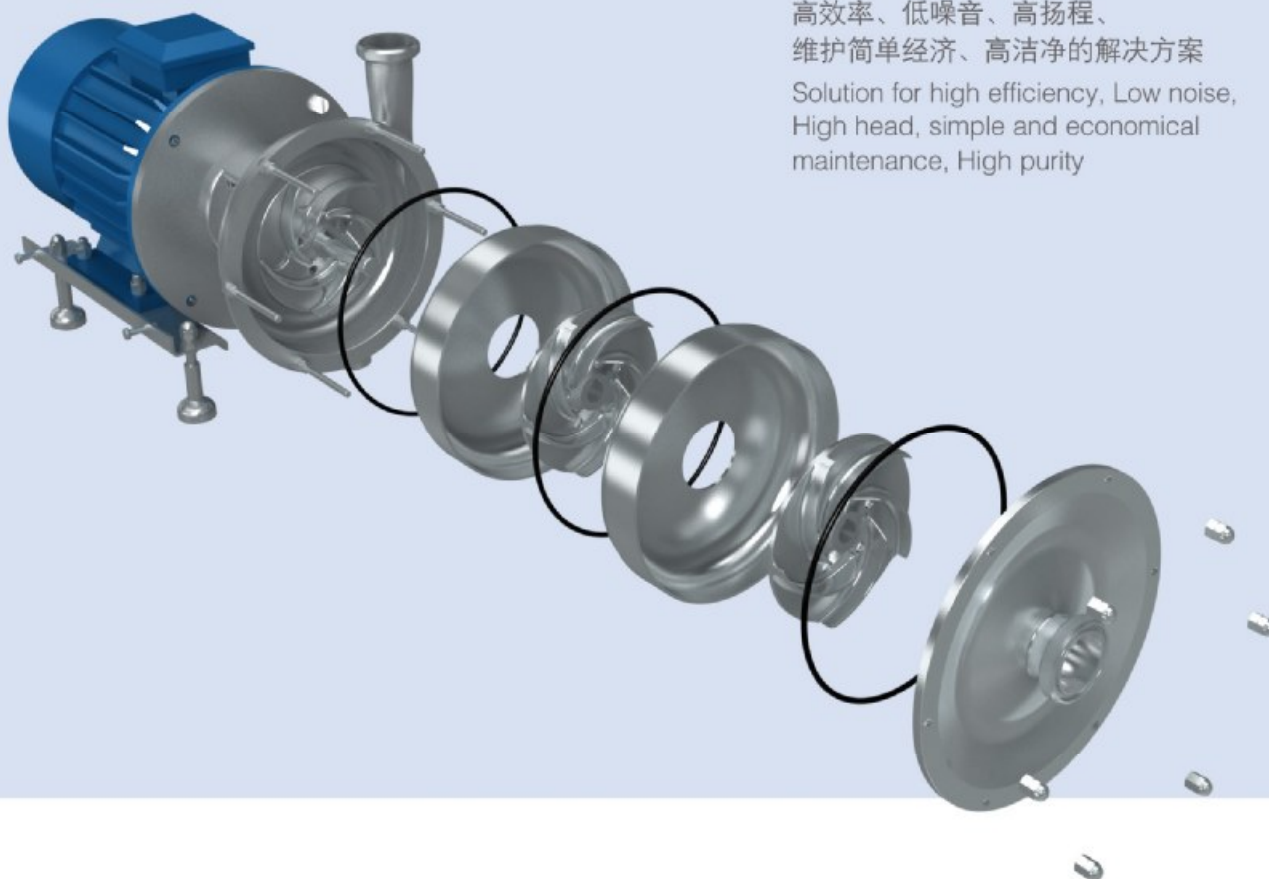
Testing condition:
 medium water, temperature 20 °C, impeller speed 2900 RPM (This graph also applies to motor 60HZ, impeller speed 3600RPM) Q-Flow rate (m³/h), H-head(meter), P-power (KW), 0%-pump efficiency

技术参数 Technical Specifications

最大流量 Max flow	40m³/h
最高扬程 Max head	40 H/M
温度 Temperature	-20℃到140℃ From -20℃ to 140℃
功率 Power	1.1KW-7.5KW
材质 Material	304 /316L, 1.431/1.4404
表面处理 Surface treatment	≤ Ra0.8 μm, ≤ Ra0.6 μm, ≤ Ra0.4 μm
机封 Mechanical seal	单机封、双机封, 详见配置单 Single mechanical seal, double mechanical seal, details see configuration table
进/出口连接 Inlet/Outlet connection	螺纹、卡箍、法兰、无菌法兰 Thread, clamp, flange, aseptic flange
认证 Certification	MD/06/42-EC (N.O.70521616101-00); FDA 177.2600; USP CLASS-II; EG/VO1935/2004

DJ-DLX 系列多级离心泵 DJ-DLX series multi-stage centrifugal pump

高效率、低噪音、高扬程、
维护简单经济、高洁净的解决方案
Solution for high efficiency, Low noise,
High head, simple and economical
maintenance, High purity

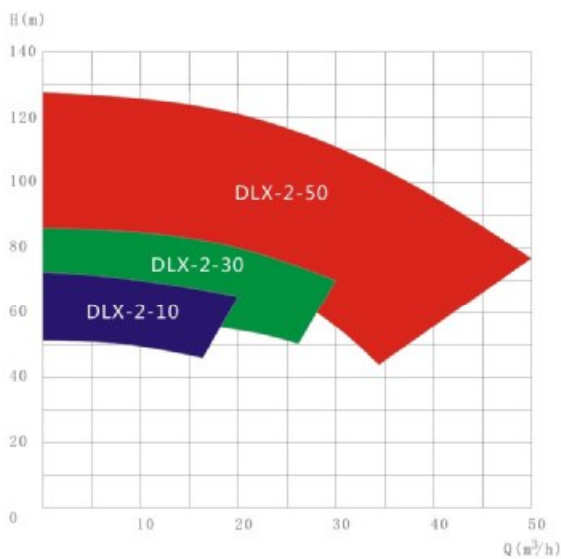


DLX系列离心泵是一款卧式多级开式叶轮的离心泵，它具有卫生、高效率、最高扬程可达180米(18bar)，输送介质柔和且卫生。主要应用于食品和饮料、乳品、啤酒厂碳酸化工艺、CIP 进料、制药工业、纯水泵送(WFI注射水)、生物技术生产、输注(营养液、乙醇)充填站、个人护理、肥皂、护肤霜、洗剂工业、净化处理(CIP 系统)、水技术工艺、半导体生产、金属表面处理等。

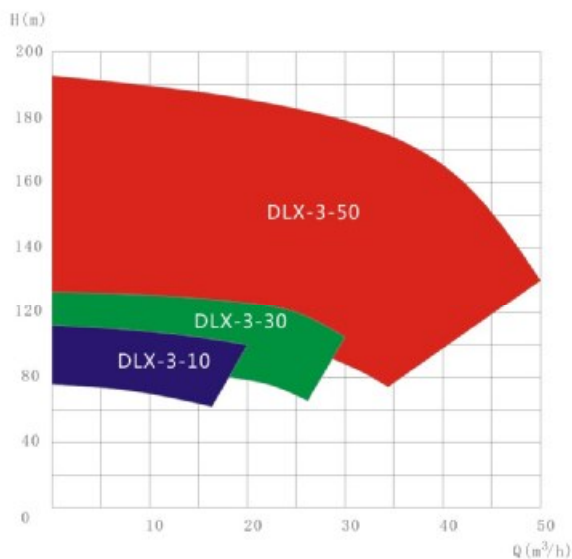
The DLX series centrifugal pump is a horizontal multi-stage open impeller centrifugal pump with high purity, high efficiency. Max head can be up to 180m (18 bar). It is soft and hygienic to transport medium. Mainly used in food and beverage, dairy, brewery carbonation process, CIP feed, pharmaceutical industry, pure water pump (WFI injection water), biotechnology production, infusion (nutrient solution, ethanol) filling station, personal care, soap, skin cream, lotion industry, purification treatment (CIP system), water technology, semiconductor production, metal surface treatment, etc.



DLX-2 多级离心泵
DLX-2 multi-stage centrifugal pump



DLX-3 多级离心泵
DLX-3 multi-stage centrifugal pump

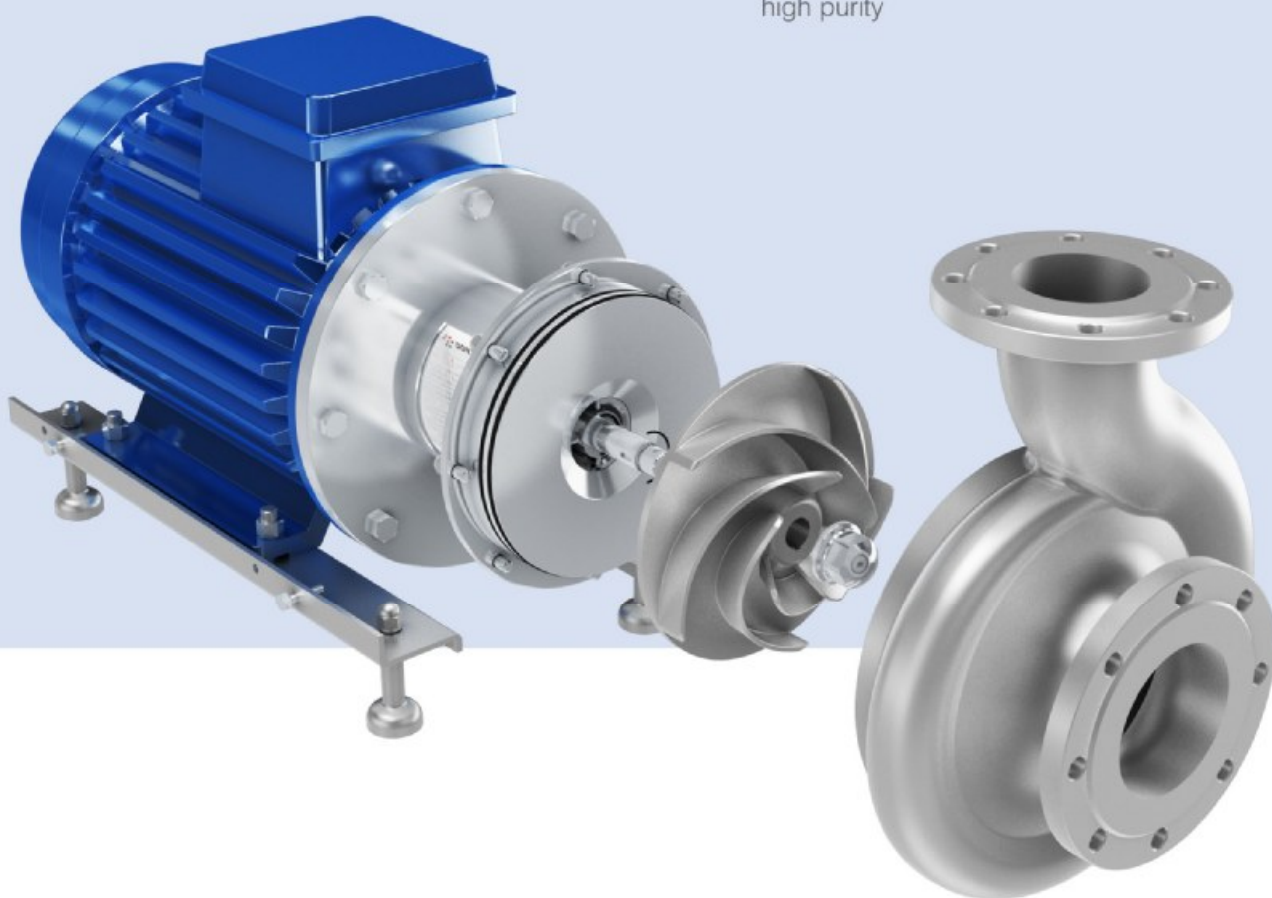


技术参数 Technical Specifications

最大流量 Max flow	50m³/h
最高扬程 Max head	180 H/M
最高温度 Max temperature	-10°C-140°C
材质 Material	304 /316L,1.431/1.4404,ASME BPE 316L ,1.4435 NB2 Fe≤0.5%
表面处理 Surface treatment	≤ Ra0.8 μ m, ≤ Ra0.6 μ m, ≤ Ra0.4 μ m
机封 Machine seal	单机封、双机封 Single seal, double seal
机封配置 Machine seal configuration	详见机封配置表 See mechanical seal configuration table
进/出口连接 Inlet/Outlet connection	螺纹、卡箍、法兰、无菌法兰 Threads, clamps, flanges, aseptic flanges
认证 Certified	3-A-Q2-10(N.O.1579); MD/06/42-EC (N.O.70521616101-00); FDA 177.2600; USP CLASS-II; EG/VO1935/2004;

DJ-MLX 系列离心泵 DJ-MLX series centrifugal pump

大流量、高效率、低功耗、
低噪音、高洁净
High flow, high efficiency,
low power consumption, low noise,
high purity



MLX系列是一款大流量的离心泵，采用开式叶轮设计，水力模型采用CED优化设计，在保证高效率水力性能的前提下，提高低粘度含颗粒物料的过流性能，降低对物料的剪切破坏，泵壳及过流部件均采用304/316L不锈钢。主要应用于糖化发酵液、麦芽汁及食品饮料的果汁果酱等含有固体颗粒及低粘度弱腐蚀性物料的输送，也可应用于制药、化工、工业用水或饮用水处理等工业领域。

The MLX series is a high-flow centrifugal pump with open impeller design. The hydraulic model is designed with CED to improve the over-flow performance of low-viscosity particulate materials and reduce the shear damage of materials under the premise of ensuring high-efficiency hydraulic performance. Pump cover and parts contacting with medium are all made of 304/316L SS. It is mainly used to transport low-viscosity weak corrosive materials with solid granules, such as saccharified fermentation broth, wort, juice, jam, food, beverage, etc., and can also be used for general industrial water and drinking water treatment.



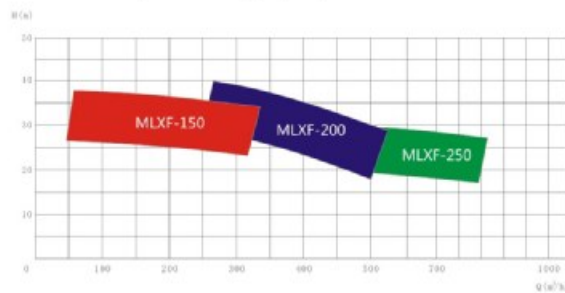
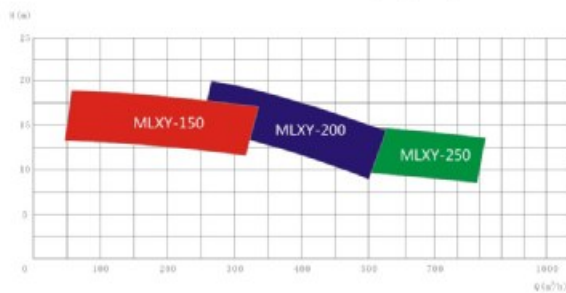
MLXY

MLXY 电机直连式离心泵
MLXY motor direct-connected centrifugal pump



MLXF

MLXF 电机分体式离心泵
MLXF motor split centrifugal pump



测试条件: 介质清水, 温度20°C, 叶轮转速2900 R.P.M

(此曲线图亦适用电机60Hz, 叶轮转速3600R.P.M) Q-流量(m³/H), H-扬程(M), P-功率(KW), 0%-泵效率。

Testing condition: medium water, temperature 20 °C, impeller speed 2900 RPM (This graph also applies to motor 60HZ, impeller speed 3600RPM) Q-Flow rate (m³/H), H-head (meter), P-power (KW), 0%-pump efficiency

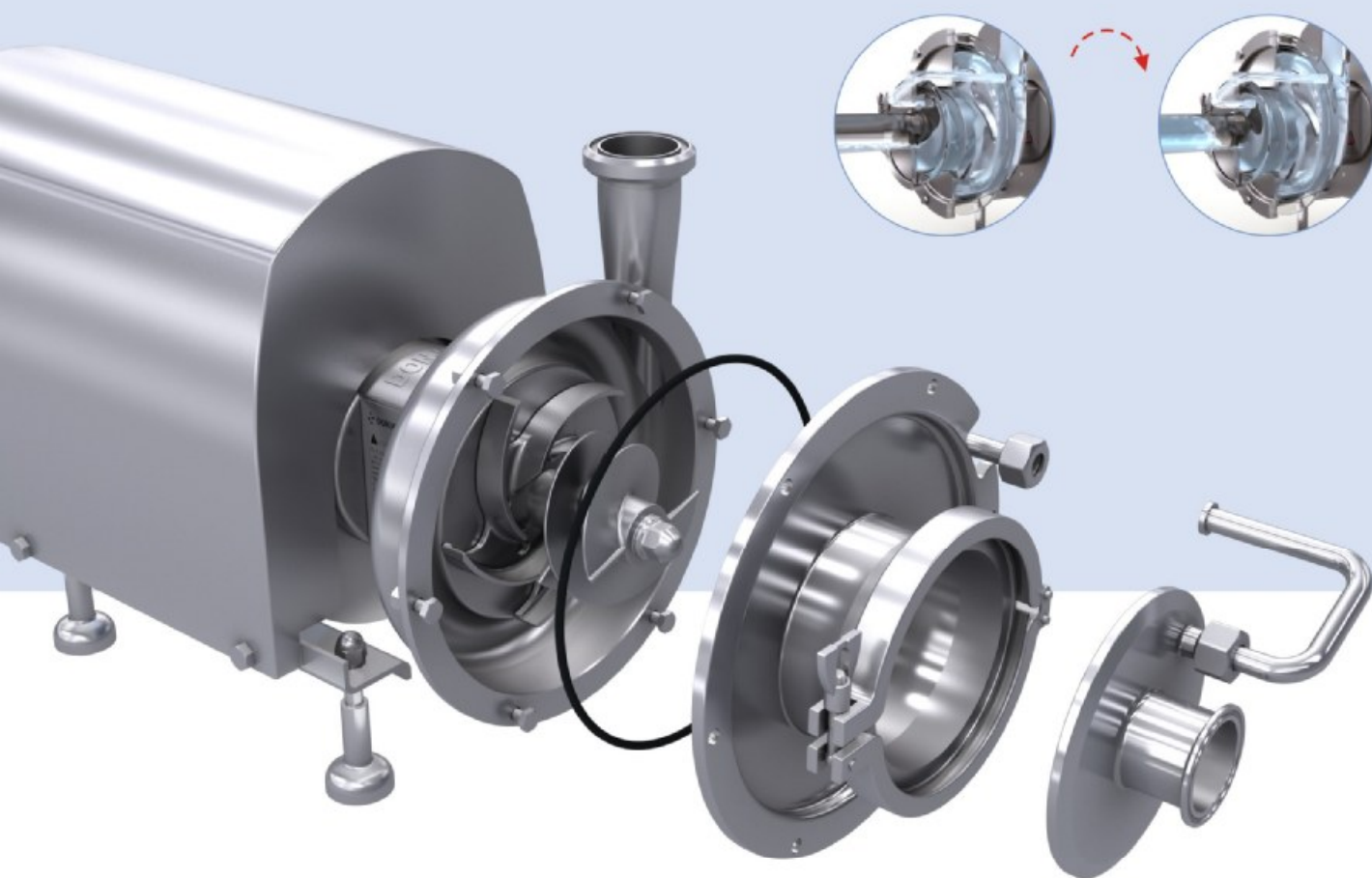
技术参数 Technical Specifications

流量 Flow	100m³-1000m³
扬程 Head	40 H/M
温度 Temperature	-20到140°C
功率 Power	11kw-130KW
材质 Material	304 /316L, 1.431/1.4404, ASME BPE 316L , 1.4435 NB2 Fe≤0.5%
表面处理 Surface treatment	≤ Ra0.8 μ m, ≤ Ra0.6 μ m, ≤ Ra0.4 μ m
机封 Mechanical seal	单机封(见配置方案) Single mechanical seal (see configuration scheme)
进/出口连接 Inlet/Outlet Connection	法兰、无菌法兰 Flanged, Aseptic flanged
认证 Certified	3-A-Q2-10(N.O.1579); MD/06/42-EC (N.O.70521616101-00); FDA 177.2600; USP CLASS-II; EG/VO1935/2004;

DJ-ZLX 系列自吸式离心泵 DJ-ZLX series self-priming centrifugal pump

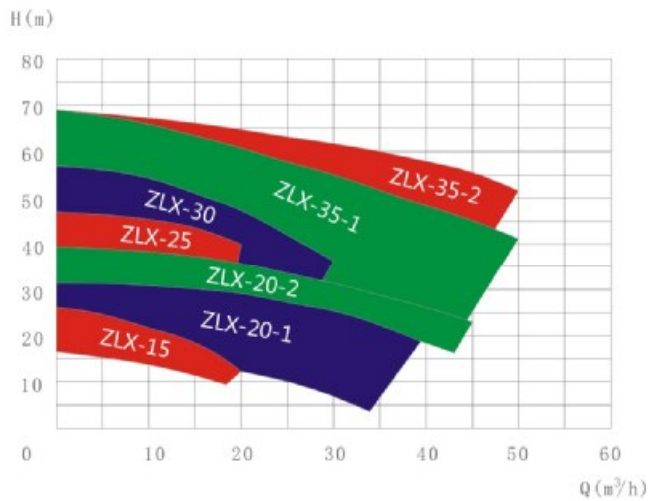
高效率、低噪音、CIP回程、
物料输送、高洁净解决方案

Solution for high efficiency, low noise, CIP backhaul,
material conveying, high purity



ZLX 系列是一款自吸式离心泵，它可以在CIP系统中作为自吸回流循环泵，也可作为离心泵适用，输送物料最高粘度500CP.S(mPas)。该泵具有效率高、噪音低、高洁净、过液体部件易清洗等技术优势。

ZLX Series is a self priming centrifugal pump. It can be applied to CIP system as self – priming backflow circulating pump, also as centrifugal pump. Max. viscosity of conveying medium is 500CP.S (mPas). Advantage of this pump high efficiency, low noise, high purity and easy cleaning components contacting medium.



测试条件：
 介质清水，温度20℃，叶轮转速2900 R.P.M
 (此曲线图亦适用电机60Hz，叶轮转速3600R.P.M)
 Q-流量(m³/h)，H-扬程(M)，P-功率(KW)，0%-泵效率。

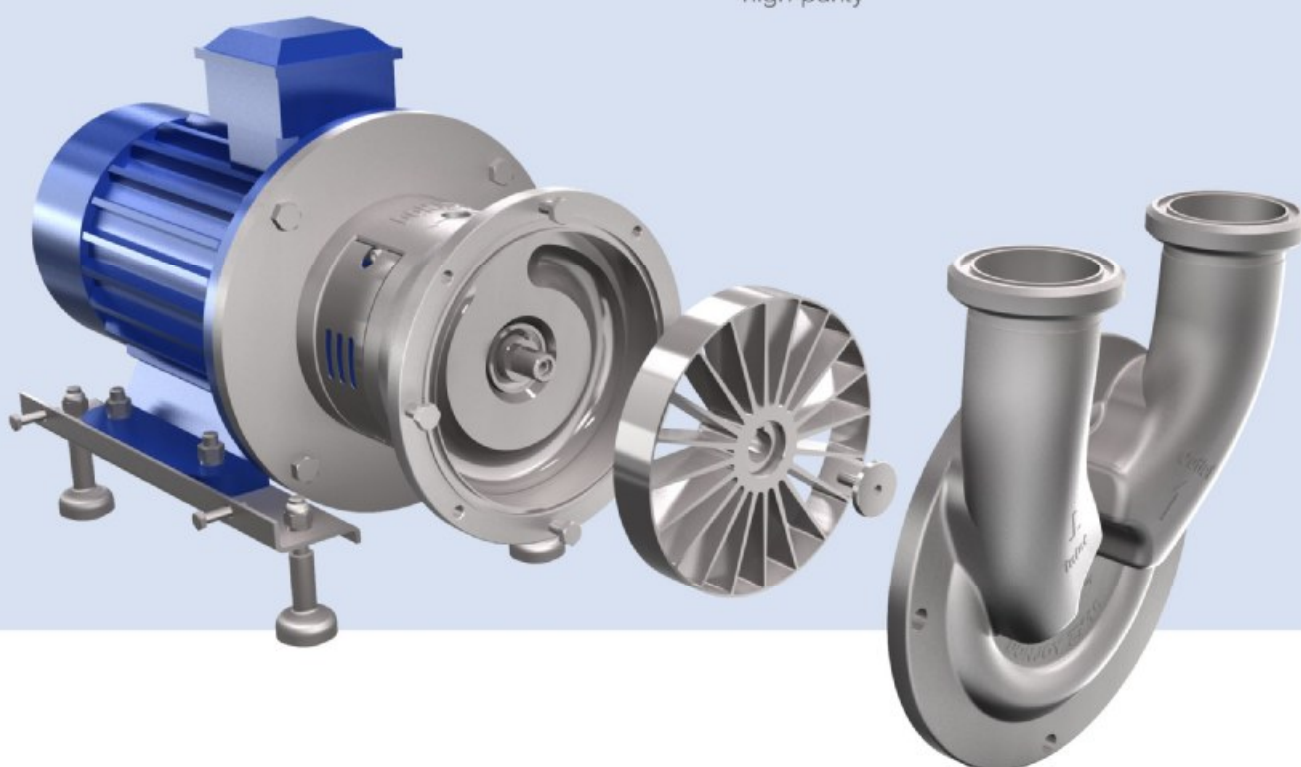
Testing condition:
 medium water, temperature 20 °C, impeller
 speed 2900 RPM (This graph also applies to motor 60HZ,
 impeller speed 3600RPM) Q-Flow rate (m³/h),
 H-head(meter), P-power (KW), 0%-pump efficiency

技术参数 Technical Specifications

最大流量 Max Flow	70m³/h
最高扬程 Max Head	70 H/M
温度 Temperature	-20°C 到 150°C / -20°C to 150°C
材质 Material	304 /316L, 1.431/1.4404, ASME BPE 316L, 1.4435 NB2 Fe≤0.5%
表面处理 Surface treatment	≤ Ra0.8 μm, ≤ Ra0.6 μm, ≤ Ra0.4 μm
机封 Mechanical seal	单机封、双机封，详见配置单 Single mechanical seal, double mechanical seal, details see configuration table
进/出口连接 Inlet/Outlet	螺纹、卡箍、法兰、无菌法兰， Thread, clamp, flange, Aseptic flange
认证 Certification	3-A-02-10(N.O.1579); MD/06/42-EC (N.O.70521616101-00); FDA 177.2600; USP CLASS-II; EG/WO1935/2004

DJ-CIP 系列自吸泵 DJ-CIP series self-priming pump

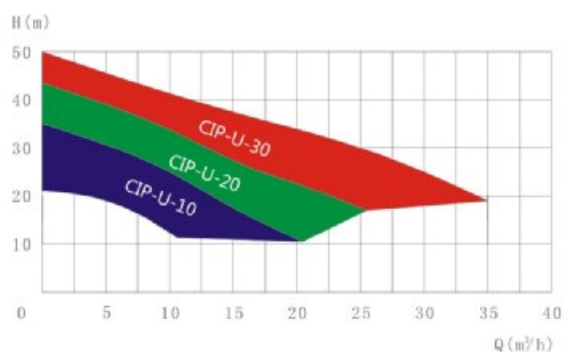
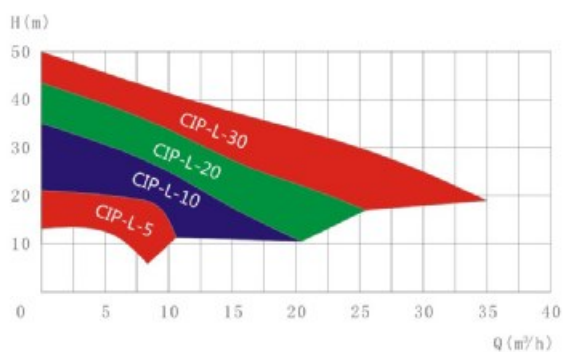
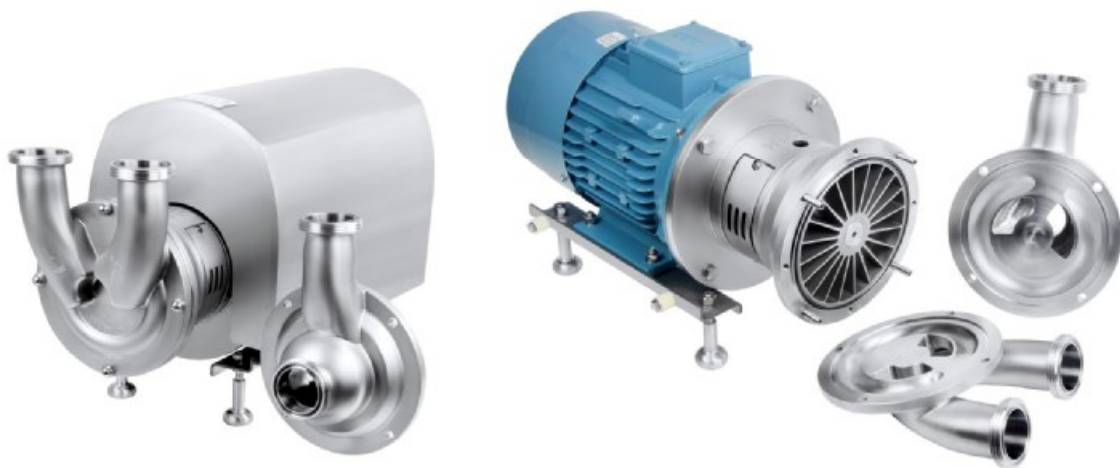
高效率、低噪音、大吸程、
维护简单、高洁净的解决方案
Solution for high efficiency, low noise,
large suction, easy maintenance,
high purity



CIP-U 系列自吸泵
CIP-U series self-priming pump



CIP-L 系列自吸泵
CIP-L series self-priming pump



测试条件：介质清水，温度20℃，叶轮转速2900 R.P.M

(此曲线图亦适用电机60Hz，叶轮转速3600R.P.M) Q-流量(m³/h)，H-扬程(M)，P-功率(KW)，0%-泵效率。

Testing condition: medium water, temperature 20 °C, impeller speed 2900 RPM (This graph also applies to motor 60HZ, impeller speed 3600RPM) Q-Flow rate (m³/h), H-head (meter), P-power (KW), 0%-pump efficiency

技术参数 Technical Specifications

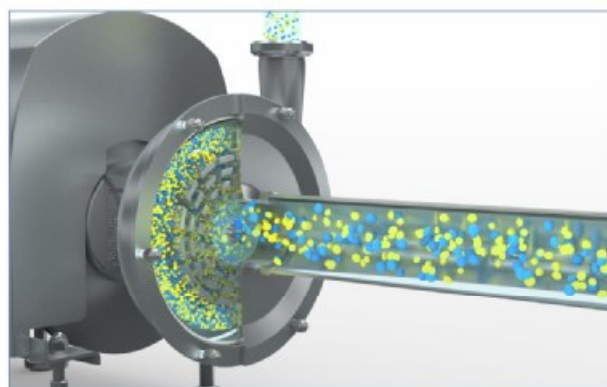
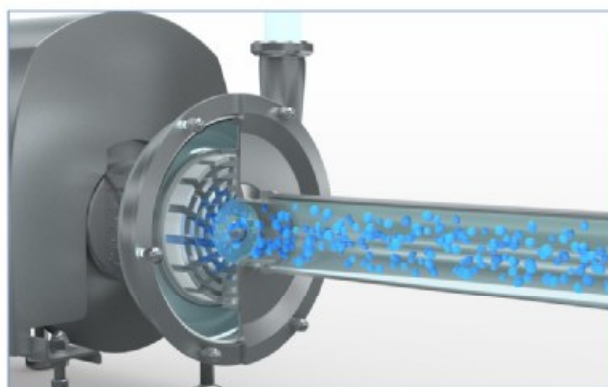
最大流量 Max Flow	40m³/h
最高扬程 Max Head	42 H/M
最大吸程 Max suction	8/M
温度 Temperature	-20°C到130°C / -20 ° C to 130 ° C
功率 power	1.5-15KW
材质 Material	304 /316L, 1.431/1.4404, ASME BPE 316L,1.4435 NB2 Fe≤0.5%
表面处理 Surface treatment	≤ Ra0.8 μ m, ≤ Ra0.6 μ m, ≤ Ra0.4 μ m
机封 Mechanical seal	单机封、双机封(见配置方案) Single seal, double (see configuration scheme)
进/出口连接 Inlet/Outlet Connection	螺纹、卡箍、法兰、无菌法兰, Thread, clamp, flange, Aseptic flange
认证 Certification	3-A-Q2-10(N.O.1579); MD/06/42-EC (N.O.70521616101-00); FDA 177.2600; USP CLASS-II; EG/VO1935/2004

DJ-JZ1 系列乳化均质泵

DJ-JZ1 series emulsification homogeneous pump

高效、分散、剪切、细化、破碎、
乳化、混合、均质、高洁净的解决方案

Solution for high-efficiency, dispersion, cut,
refinement, smash, emulsification, mixing,
homogenization, high purity



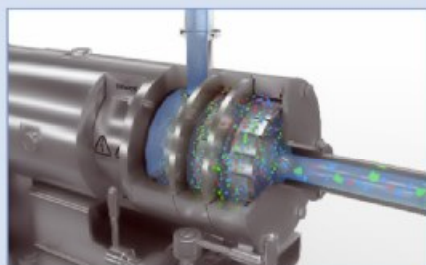


技术参数 Technical Specifications

最大流量 Max flow	50m ³ /h
最大功率 Max power	55KW
温度 Temperature	-20°C到140°C
物料细化 Media refinement	≤ 60 GRIT (≈ 300 μm) ≤60目(约300 μm)
材质 Material	304 /316L,1.431/1.4404,ASME BPE 316L , 1.4435 NB2 Fe≤0.5%
表面处理 Surface treatment	≤ Ra0.8 μm, ≤ Ra0.6 μm, ≤ Ra0.4 μm
机封 Mechanical seal	单机封和双机封 Single and double mechanical seal
机封组合 Mechanical seal combination	详见配置表See configuration table
进/出口连接 Inlet/Outlet connection	螺纹、卡箍、法兰、无菌法兰 Thread, clamp, flange, Aseptic flange
认证 Certification	3-A-02-10(N.O.1579); MD/06/42-EC (N.O.70521616101-00); FDA 177.2600; USP CLASS-II; EG/VO1935/2004;

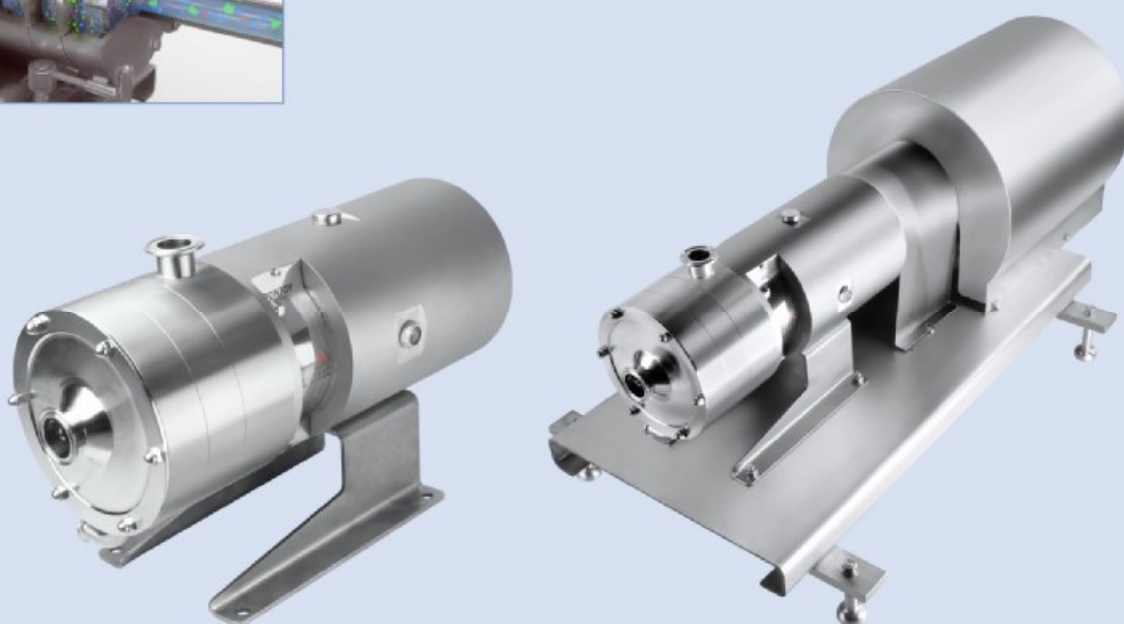
DJ-JZ3 系列多级乳化均质泵

DJ-JZ3 series multi-stage emulsification homogeneous pump

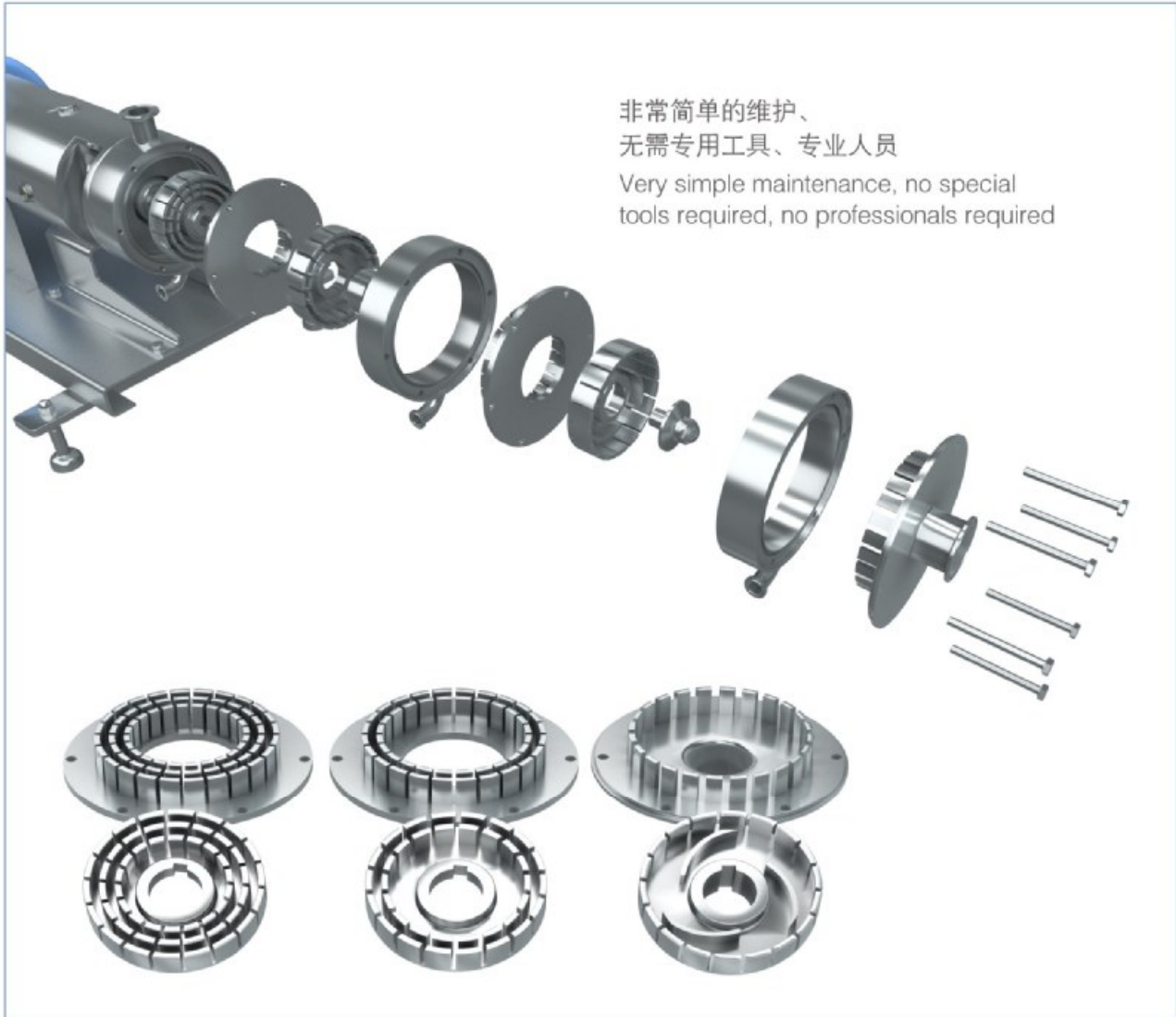


高效、分散、剪切、细化、破碎、
乳化、混合、均质、高洁净的解决方案

High-efficiency, dispersion, cut, refinement, smash,
emulsification, mixing, homogenization, high purity solution



型号 Model	功率 Power(kw)	流量 Flow(m ³ /h)	适用粘度 Viscosity(CPS)	出口压力 Outlet pressure (bar)	转速 Rotate speed (r/min)	进口 Inlet	出口 Outlet	重量 Weight (kg)
DJ-JZ3-130	7.5	4.0	≤3000	1.0	2900	1.5"-DN40	1.5"-1.1/4"	139.5
	11		≤5000	2.0				183.5
DJ-JZ3-150	11	6.0	≤3000	2.0	2900	2"-DN50	1.5"-DN40	189.8
	15		≤5000	2.0				202.8
DJ-JZ3-170	15	12.0	≤3000	2.0	2900	2"-2.5"	2"- DN50	237.2
	18.5		≤5000	4.0				245.2
DJ-JZ3-190	22	20.0	≤3000	2.0	2900	3"-DN65	2"-2.5"	290
	30		≤5000	5.0				340
DJ-JZ3-210	45	30.0	≤3000	2.0	2900	3"-DN80	2.5"-DN65	433
	55		≤5000	5.0				494
DJ-JZ3-240	75	50.0	≤3000	2.0	2900	4"-DN100	3"-DN80	806
	90		≤5000	5.0				846



非常简单的维护、
 无需专用工具、专业人员
 Very simple maintenance, no special
 tools required, no professionals required

技术参数 Technical Specifications

最大流量 Max flow	50m ³ /h
最大功率 Max power	130KW
最高温度 Max temperature	-20°C到140°C
物料细化 Media refinement	≤ 100 GRIT (≈ 200 μm) ≤ 100目(约200 μm)
材质 Material	304 /316L, 1.431/1.4404, ASME BPE 316L, 1.4435 NB2 Fe≤0.5%
表面处理 Surface treatment	≤ Ra0.8 μm, ≤ Ra0.6 μm, ≤ Ra0.4 μm
机封 Mechanical seal	单机封和双机封 Single and double mechanical seals
机封组合 Mechanical seal combination	详见配置表 See configuration table
进/出口连接 Inlet/outlet connection	螺纹、卡箍、法兰、无菌法兰 Thread, clamp, flange, Aseptic flange
认证 Certification	3-A-02-10(N.O.1579); MD/06/42-EC (N.O.70521616101-00); FDA 177.2600; USP CLASS-II; EG/VO1935/2004;

DJ-PMTU 系列混合泵 DJ-PMTU Series mixing pump



乳化、均质、
细化、混合、可调节、多任务、
粉液混合的解决方案

Solution for emulsification, homogenization,
refining, mixing, adjustable,
multi-tasking, mixing powder and liquid



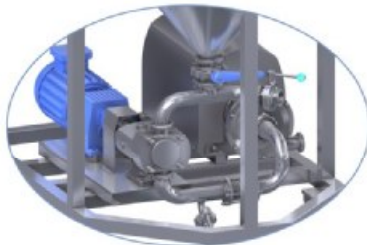
A



B

A=转子泵 Lobe pump

B=均质混合泵 Homogenizing mixing pump



粉体和液体被强力吸入泵腔
Powder and liquid are strongly sucked into pump chamber



物料被均质混合中
The material is homogeneously mixed



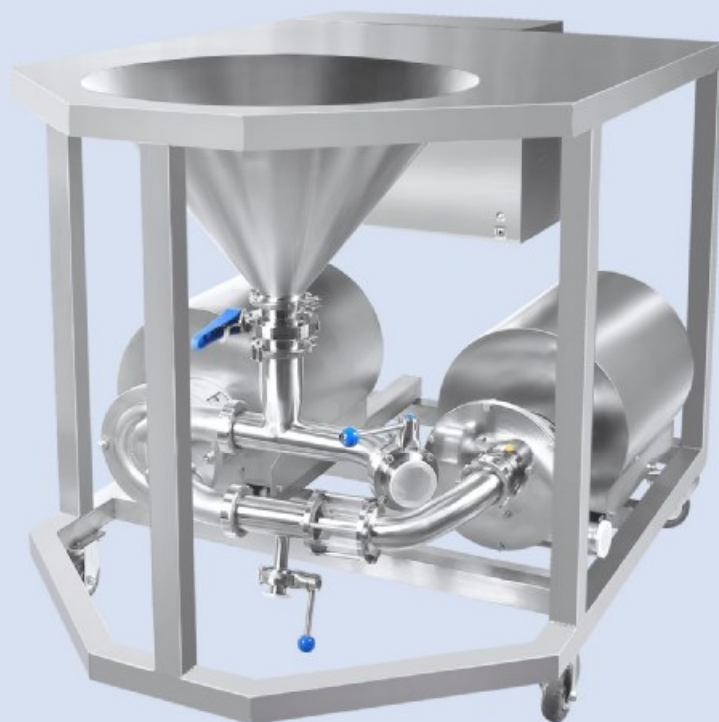
均质混合物被输送到罐设备中
The homogeneous mixture is delivered to tank equipment

技术参数 Technical Specifications

粉体最大处理量 Max. capacity of powder	9000kg/h
增稠剂类最大处理量 Max. capacity of thickeners	3000kg/h(取决于物料粘度和浓度 Depends on the viscosity and concentration of material)
温度 Temperature	-10°C~130°C
材质 Material	304 /316L, 1.431/1.4404, ASME BPE 316L, 1.4435 NB2 Fe≤0.5%
表面处理 Surface treatment	≤ Ra0.8 μm, ≤ Ra0.6 μm, ≤ Ra0.4 μm
机封 Mechanical seal	单机封和双机封 Single and double mechanical seals
机封组合 Mechanical seal combination	详见配置表 See configuration table
进/出口连接 Inlet/Outlet Connection	螺纹、卡箍、法兰、无菌法兰 Thread, clamp, flange, Aseptic flange
认证 Certification	3-A-02-10(N.O.1579); MD/06/42-EC (N.O.70521616101-00); FDA 177.2600; USP CLASS-II; EG/VO1935/2004;

PMZX 系列混合泵 PMZX series mixing pump

乳化、均质、
细化、混合、可调节、多任务、
粉液混合的解决方案
Solution for emulsification,
homogenization, refining, mixing,
adjustable, multi-tasking, mixing
powder and liquid



A=液环式自吸泵 Liquid ring type self-priming pump
B=均质混合泵 Homogeneous mixing pump



技术参数 Technical Specifications

粉体最大处理量 Maximum capacity of powder	9000kg/h
增稠剂类最大处理 Maximum capacity of thickeners	3000kg/h(取决于物料粘度和浓度Depends on the viscosity and concentration of material)
最高温度 Maximum temperature	-10°C~150°C
材质 Material	304 /316L,1.4301/1.4404,ASME BPE 316L ,1.4435 BN2 Fe≤0.5%
表面处理 Surface treatment	≤ Ra0.8 μ m, ≤ Ra0.6 μ m, ≤ Ra0.4 μ m
机封 Mechanical seal	单机封和双机封 Single and double mechanical seal
机封组合 Mechanical seal combination	详见配置表See configuration table
进/出口连接 Inlet/Outlet connection	螺纹、卡箍、法兰、无菌法兰 Thread, Clamp, Flange, Aseptic flange
认证 Certification	3-A-02-10(N.O.1579); MD/06/42-EC (N.O.70521616101-00); FDA 177.2600; USP CLASS-II; EG/VO1935/2004;

HHQ 系列混合泵

HHQ series mixing pump



乳化、混合、可调节、多任务
粉液混合的解决方案

Solutions for emulsifying, mixing, adjusting, multi-tasking
mixing powder and liquid



粉体和液体被强力吸入泵腔
Powder and liquid are strongly sucked
into pump chamber



物料被混合中
The material is being mixed



混合物被输送到罐设备中
The mixture is transported
to tank equipment

技术参数 Technical Specifications

粉体最大处理量 Maximum capacity of powder	9000kg/h
增稠剂类最大处理 Maximum capacity of thickeners	3000kg/h(取决于物料粘度和浓度Depends on the viscosity and concentration of material)
最高温度 Maximum temperature	130°C
材质 Material	304 /316L,1.4301/1.4404, ASME BPE 316L, 1.4435 BN2 Fe≤0.5%
表面处理 Surface treatment	≤ Ra0.8 μ m, ≤ Ra0.6 μ m, ≤ Ra0.4 μ m
机封 Mechanical seal	单机封和双机封 Single and double mechanical seals
机封组合 Mechanical seal combination	详见配置表 See configuration table
进/出口连接 Inlet/Outlet Connection	螺纹、卡箍、法兰、无菌法兰 Thread, Clamp, Flange, Aseptic flange
认证 Certification	3-A-02-10(N.O.1579); MD/06/42-EC (N.O.70521616101-00); FDA 177.2600; USP CLASS-II; EG/VO1935/2004;

推车混合泵
Cart mixing pump



电器控制箱
Electrical control box



气动震动器
Pneumatic vibrator



电动震动器
Electric vibrator



多功能盖子
Multi-function cover



音叉位置传感器
Tuning fork position sensor



型号 Model	功率 Power	出口压力 Outlet pressure (bar)	流量 Flow(m ³ /h)	适用混合物粘度 Viscosity of mixture(CP)	加料斗容量 Hopper volume	固体吸入量 Solid suction volume	固体进口 Solid Inlet	液体进口 Liquid Inlet	出口 Outlet	连接方式 Connection
HHQ-10	3KW	3.0	10	≤2000	45L	2000kg/h	DN65-3"	DN40-1.5"	DN50-2"	卡箍/螺纹 Clamp, Thread
	5.5KW			≤3000						
HHQ-20	4KW	3.0	20	≤2000	45L	3000kg/h	DN65-3"	DN40-1.5"	DN50-2"	卡箍/螺纹 Clamp, Thread
	7.5KW			≤3000						
HHQ-30	5.5KW	3.0	30	≤2000	45L	4200kg/h	DN80-3.5"	DN50-2"	DN65-2.5"	卡箍/螺纹 Clamp, Thread
	11KW			≤3000						
HHQ-40	7.5KW	3.0	40	≤2000	45L	5500kg/h	DN80-3.5"	DN50-2"	DN65-2.5"	卡箍/螺纹 Clamp, Thread
	15KW			≤3000						
HHQ-50	11KW	3.0	50	≤2000	65L	7000kg/h	DN100-4"	2.5"	DN80-3"	卡箍/螺纹 Clamp, Thread
	18.5KW			≤3000						
HHQ-60	15KW	3.0	60	≤2000	65L	9000kg/h	DN100-4"	2.5"	DN80-3"	卡箍/螺纹 Clamp, Thread
	22KW			≤3000						



DONJOY looking forward to your visit! Your telecommunications!



东正科技有限公司 DONJOY TECHNOLOGY CO.,LTD.

地址: 温州空港新区港富路25号
总机: 0577-86990888
传真: 0577-86998000

Add: No.25 Gang fu Road, konggang
new District, Longwan Wenzhou, China
Tel: +86-577-86990888
Fax: +86-577-86998000
E-mail: donjoy@cndonjoy.com

www.cndonjoy.com

法律声明:

目录样册版权归东正所有, 如有抄袭, 必将追究其法律责任和经济赔偿。
东正已获得国家版权局书刊号。东正诸多产品技术, 都具有专利保护, 如有抄袭,
必将追究法律责任和经济赔偿。

Legal statement:

Copyright of the catalogue belongs to Donjoy. If there is plagiarism,
it will be investigated for legal responsibility and economic compensation.
Donjoy has been granted publications number by China's National Copyright.
Donjoy products and technology with patent protection,
If there is plagiarism, it will be investigated for legal responsibility
and economic compensation.